

# DH-PFA132-E

Water-proof Junction Box



## Features

- Aesthetic design
- Material: aluminum
- Water-proof junction box

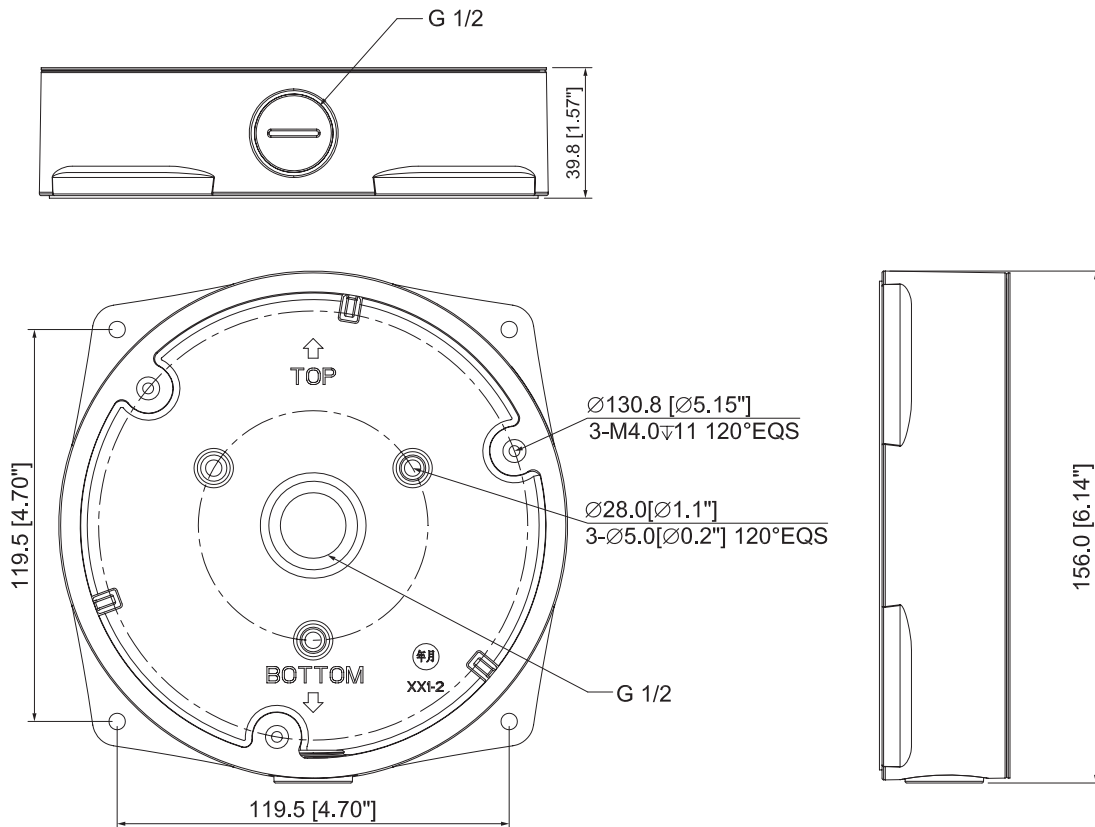
### Technical Specification

<b>Model</b>	<b>DH-PFA132-E</b>
<b>General</b>	
Material	Aluminum
Dimension (WxHxD)	φ156mmx39.8mm (φ6.14"x1.57")
Weight	0.48kg (1.06lb)
Load Bearing (front)	3kg (6.61lb)
Color	White
Operating Temperature	-40 °C ~+60 °C (-40 °F ~+140 °F )
Humidity	0~90% RH
Applicable Model	Please see "Accessory Selector" on <a href="http://www.dahuasecurity.com">www.dahuasecurity.com</a>

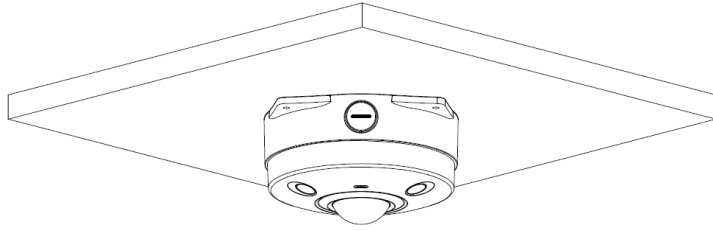
### Ordering Information

Type	Part Number	Description
Camera Mount Series	DH-PFA132-E	Water-proof junction box
	PFA132-E	Water-proof junction box

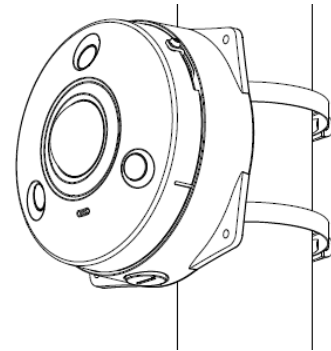
### Dimension(mm/inch)



## Application



Ceiling mount



Pole mount

## Package Information

- Water-proof junction box \*1
- M4 screw \*3
- ST4 screw \*4
- Plastic anchor \*4
- Water-proof joint \*1
- Mounting sticker \*1