

DHI-VTO3312Q-P

2-wire Villa Door Station



- Full metal casing design.
- Customizable Number of Buttons.
- 1/2.8" 2-MP HD CMOS camera.
- Offers two-way video call with indoor monitors.
- IR illumination and auto WDR.
- Supports two locks.
- Voice call and unlocking through app.
- Two wires and RJ-45 connection.
- IK08 and IP65 rated.
- H.264 and H.265.
- Unlock with IC card.
- PoE power supply.
- Included rain cover.
- Optional red-brown or dark blue front cover.
(red-brown P/N: 1.1.03.15.10221, dark blue P/N: 1.1.03.15.10220)



Technical Specification

System

| | |
|------------------|--|
| Main Processor | Embedded Processor |
| Button Type | Mechanical |
| Interoperability | ONVIF; CGI |
| Network Protocol | RTSP; DNS; P2P; UPnP; RTP; RTMP; SIP; SSH; HTTP/HTTPS; ONVIF |

Basic

| | |
|--------------------|---|
| Camera | 1/2.8" CMOS 2-MP HD camera |
| Field of View | H: 125°; V: 65°; D: 139° |
| WDR | 120 dB |
| Noise Reduction | 3D NR; 2D NR |
| Video Compression | H.264; H.265 |
| Video Resolution | Main stream: 720p, WVGA, D1, and CIF; Sub stream: 1080p, WVGA, D1, QVGA, and CIF |
| Video Frame Rate | PAL: 25 fps NTSC: 30 fps |
| Video Bit Rate | 768 kbps–8 Mbps |
| Light Compensation | Auto IR |
| Day/Night | Auto (ICR)/Color/B/W; Color/B/W |

| | |
|-------------------|---|
| Audio Compression | G.711a; G.711u; PCM |
| Audio Input | 1 |
| Audio Output | Built-in speaker |
| Audio Mode | Two-way audio |
| Audio Enhancement | Echo suppression/digital noise reduction; Echo suppression; Digital noise reduction |
| Audio Bit Rate | 16 kHz, 16 bit |

Function

| | |
|--------------------|---|
| Communication Mode | Full digital |
| Unlock Mode | Card; app; indoor monitor |
| Card Type | IC card |
| Auto Snapshot | Yes (SD card is inserted in the indoor monitor or door station) |
| Leave Videos | Yes (SD card inserted in VTH/VTO is needed) |
| Web Configuration | Yes |
| Storage | Micro SD card (max. 256 GB) |

Performance

| | |
|-----------------------|------------------------|
| Card Reading Distance | 0 cm–3.5 cm (0"–1.38") |
| Issue Card Locally | Yes |
| Casing | Alluminum alloy |

Capacity

| | |
|---------------|------|
| Card Capacity | 3000 |
|---------------|------|

Port

| | |
|-----------------------|--|
| RS-485 | 1 |
| Alarm Input | 1 |
| Alarm Output | 1 |
| Power Output | 1 |
| Exit Button | 1 |
| Door Status Detection | 1 |
| Lock Control | 1 |
| Network Port | 1 × RJ-45/two-wire port, 10/100 Mbps self-adaptive |

Alarm

| | |
|--------------|-----|
| Tamper Alarm | Yes |
|--------------|-----|

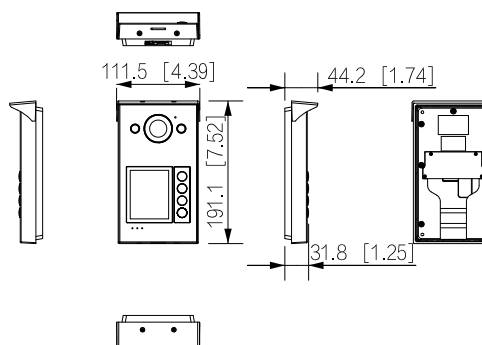
General

| | |
|-----------------------|---|
| Appearance color | Grey |
| Power Supply | 48 VDC, 1 A Standard PoE Dahua two-wire switch (max. power supply distance is 50 m/164.04 ft) |
| Power Adapter | Optional |
| Installation | Surface Mount |
| Certifications | CE; FCC |
| Accessory | Included: Alarm power ribbon cable, rain cover |
| Product Dimensions | 188.1 mm × 107.2 mm × 30 mm (7.41" × 4.22" × 1.18") |
| Protection | IP65 IK08 |
| Operating Temperature | -40 °C to +60 °C (-40 °F to +140 °F) |
| Operating Humidity | 10%–90% (RH), non-condensing |
| Operating Altitude | 0 m–3,000 m (0 ft–9,842.51 ft) |
| Power Consumption | ≤ 4 W (standby), ≤ 8 W (working) |
| Gross Weight | 0.78 kg (1.72 lb) |
| Net Weight | 0.57 kg (1.26 lb) |

Ordering Information

| Type | Model | Description |
|---------------------------|----------------|---|
| 2-wire Villa Door Station | DHI-VTO3312Q-P | Dahua Linux Grey Metal 2-wire Villa Door Station |
| Accessories | DHI-VTM57 | Accessories of Wi-Fi Villa Door Station (Dahua casing+ rain cover+ button cap + screw hole cover)-dark blue |
| | DHI-VTM58 | Accessories of Wi-Fi Villa Door Station (Dahua casing+ rain cover+ button cap + screw hole cover)-red brown |

Dimensions (mm[inch])



Application

