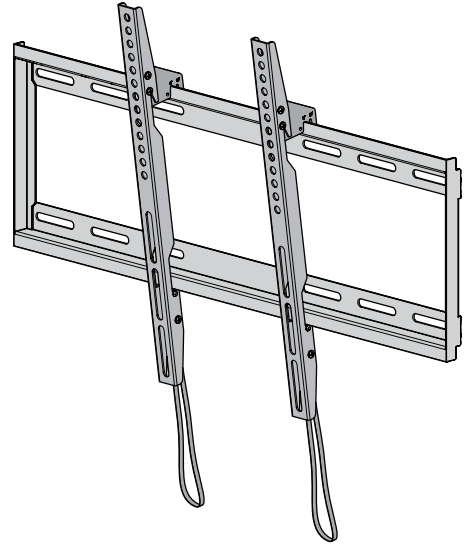


SECURA

QLTK1

INSTRUCTION MANUAL



We'll Make It Stress-Free

If you have any questions along the way, just give us a call.

US: 800-359-5520 • EMEA P: 0800 056 2853

We're ready to help!

Scan for easy install video

san.us/1144



Before getting started, let's make sure this mount is perfect for you!

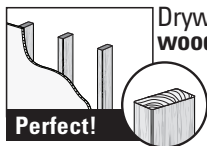
1 Does your TV (including accessories) weigh MORE than 110 lbs. (49.8 kg)?



No? Perfect – you may continue.
Yes? This mount is NOT compatible.
 Visit secura-av.com or call US: 800-359-5520
 EMEA P: 0800 056 2853 to find a compatible mount.

CAUTION: DO NOT exceed the maximum weight indicated. This mounting system is intended for use only with the maximum weights indicated. Use with products heavier than the maximum weights indicated may result in collapse of the mount and its accessories, causing possible injury.

2 What is your wall made of?



Drywall with wood studs?

CAUTION:
DO NOT install into drywall alone



Solid concrete or concrete block?

? **Unsure?**
Call Customer Service:

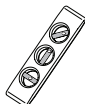
3 Do you have all the tools needed?



Tape Measure



Pencil



Level



Screw driver



Electric Drill



1/2 in. (13 mm) Socket Wrench

Wood Stud Install



Stud Finder



Awl



1/32 in. (5.5 mm) Wood Drill Bit

Concrete Install



3/8 in. (10 mm) Masonry Drill Bit



Hammer

4 Ready to begin?

Please read through these instructions completely to be sure you're comfortable with this easy install process. Also check your TV owner's manual to see if there are any special requirements for mounting your TV.

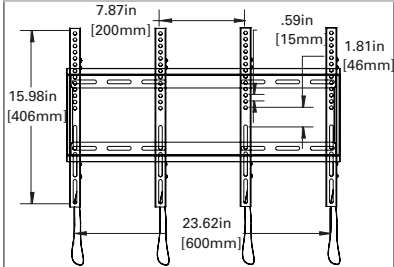
If you do not understand these instructions or have doubts about the safety of the installation, assembly or use of this product, contact Customer Service.

CAUTION: Avoid potential personal injury or property damage!

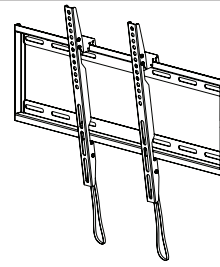
- This product is designed for use in wood stud, solid concrete, and concrete block walls - DO NOT install into drywall alone
- The wall must be capable of supporting five times the weight of the TV and mount combined
- Do not use this product for any purpose not explicitly specified by manufacturer
- Manufacturer is not responsible for damage or injury caused by incorrect assembly or use

Dimensions

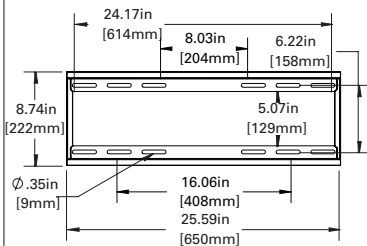
TV INTERFACE



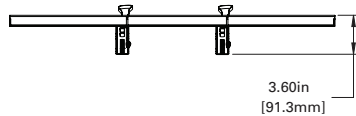
3-D



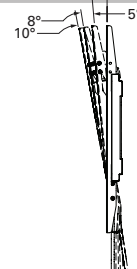
WALL PLATE



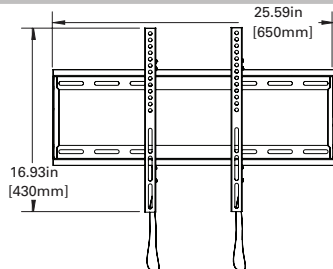
TOP VIEW - EXTENDED



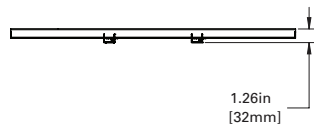
SIDE VIEW - EXTENDED



FULLY ASSEMBLED MOUNT



TOP VIEW - RETRACTED



SIDE VIEW - RETRACTED

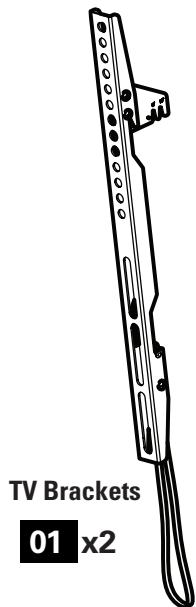


Parts and Hardware

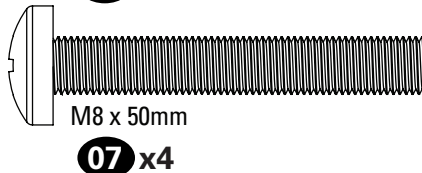
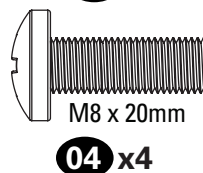
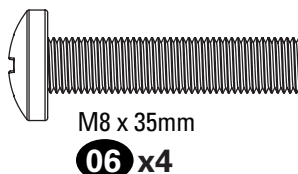
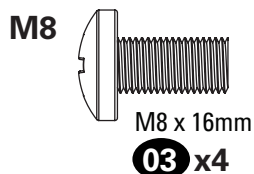
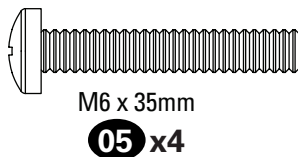
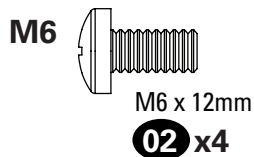
⚠ WARNING: This product contains small items that could be a choking hazard if swallowed. Before starting assembly, verify all parts are included and undamaged. If any parts are missing or damaged, do not return the damaged item to your dealer; contact Customer Service. Never use damaged parts!

📄 NOTE: Not all hardware included will be used.

Parts and Hardware for STEP 1



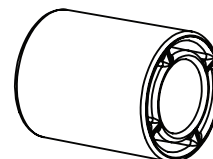
TV Screws



Washers



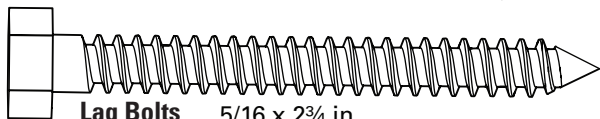
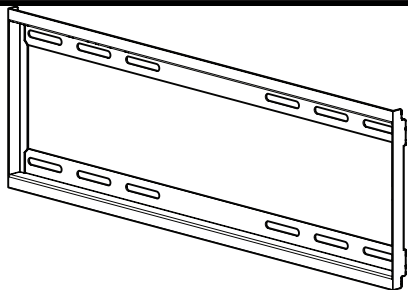
Spacers



Parts and Hardware for STEP 2

Wall Plate

11 x1

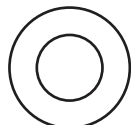


Lag Bolts 5/16 x 2 3/4 in.

12 x4

Washers
(Lag Bolt)

13 x4



5/16 in.

For concrete installations ONLY

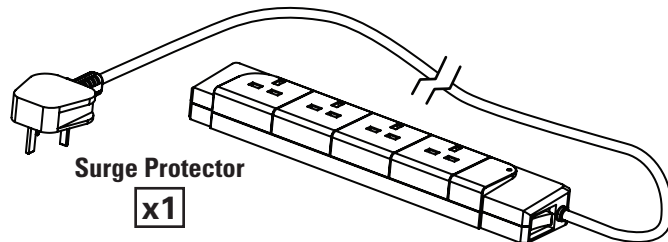
⚠ CAUTION: Do not use in drywall or wood
Concrete Anchors

14
x4



Fischer UX 10 x 60R

Accessories

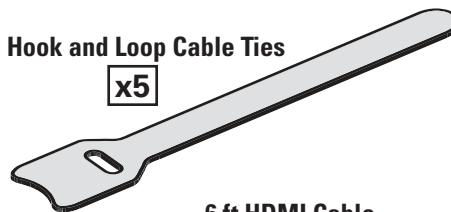


Surge Protector

x1

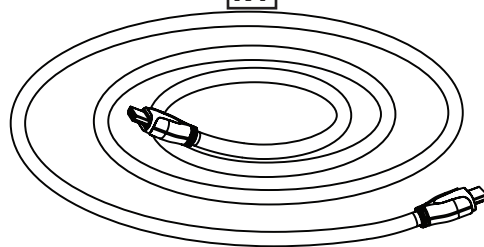
Hook and Loop Cable Ties

x5



6 ft HDMI Cable

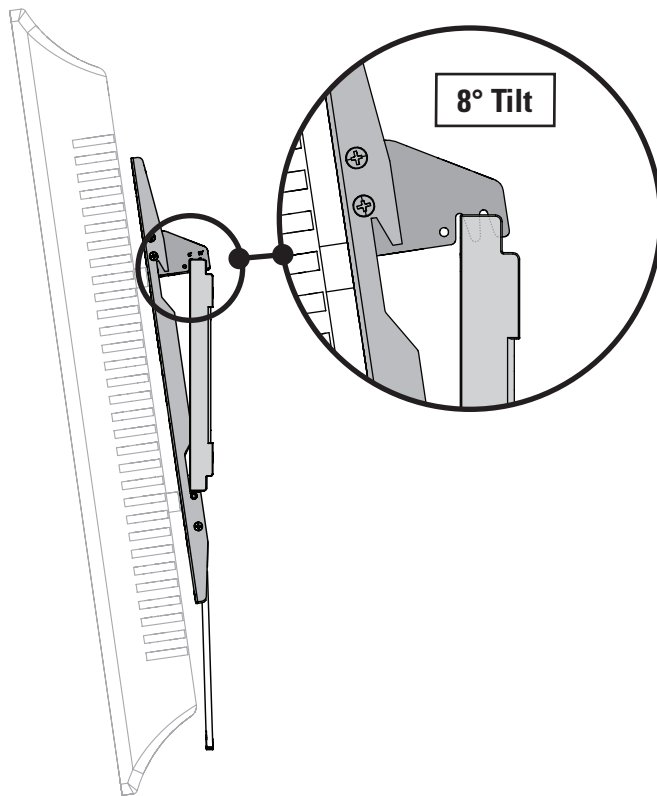
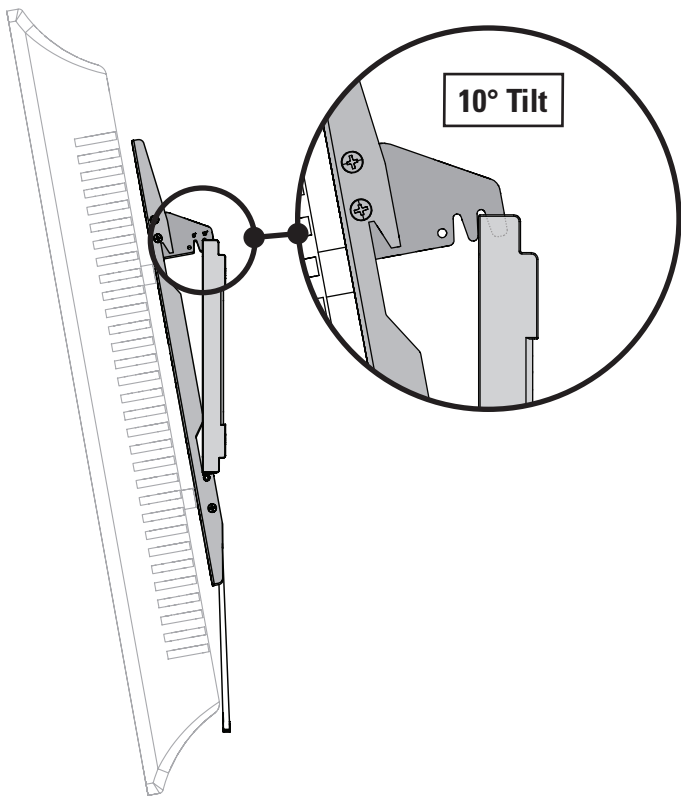
x1

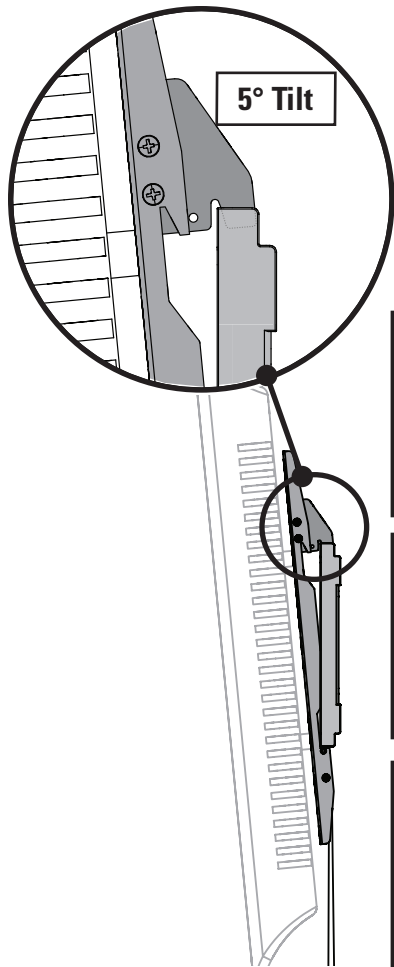


STEP 1 Attach Brackets to TV

1.1 Select Angle of TV Tilt

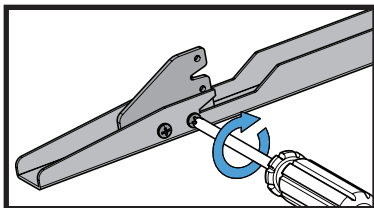
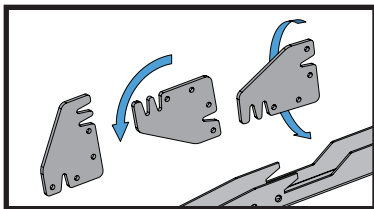
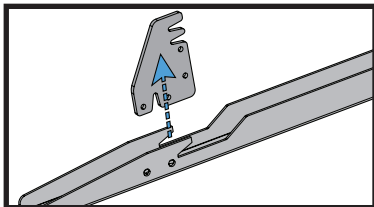
Using the preattached angle brackets, TV can be set to either a 10° or 8° tilt.



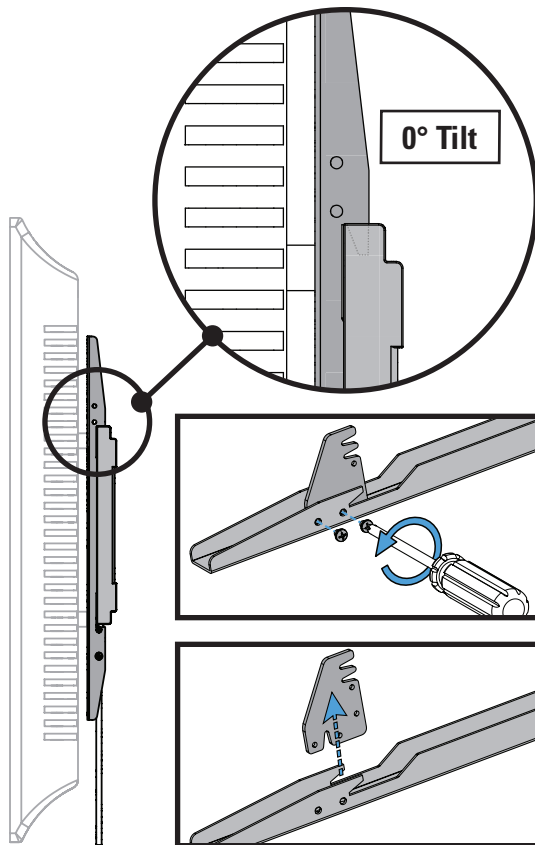


5° Tilt

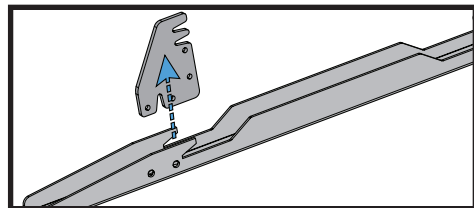
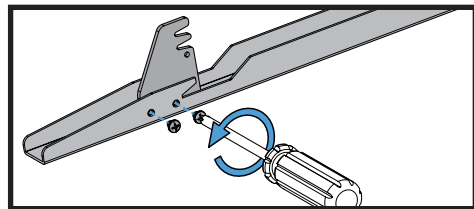
For 5° tilt, remove the preattached angle brackets, rotate the brackets as shown and reattach the brackets.



For no tilt, remove the preattached angle brackets.

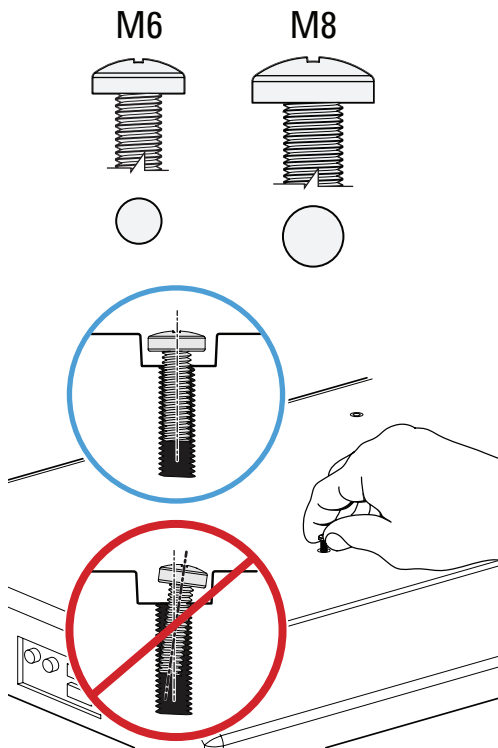


0° Tilt



1.2 Select TV Screw Diameter

Hand thread screws into the threaded inserts on the back of your TV to determine which screw diameter (M6, or M8) to use.

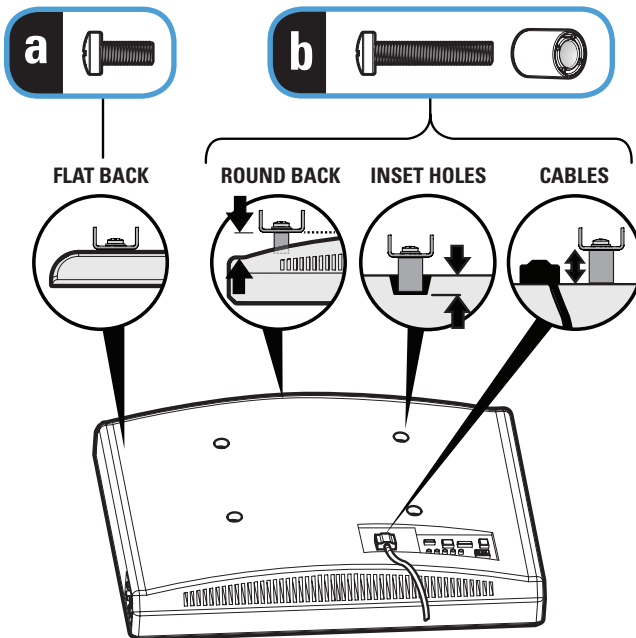


1.3 Select TV Screw Length

If your TV has a flat back AND you want your TV closer to the wall, use the shorter screws (a).

Use the spacers and longer screws (b) to accommodate:

- Round/irregular back TVs
- TVs with inset mounting holes
- Extra space needed for cables

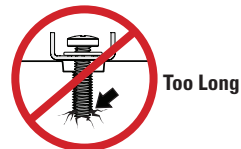
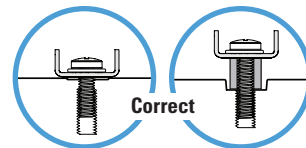


Standard configurations are shown. For special applications, or if you are uncertain about your hardware selection, contact Customer Service.

▲ CAUTION:

Verify adequate thread engagement with your screw/washer/spacer combination AND TV bracket.

- Too short will not hold the TV.
- Too long will damage the TV.

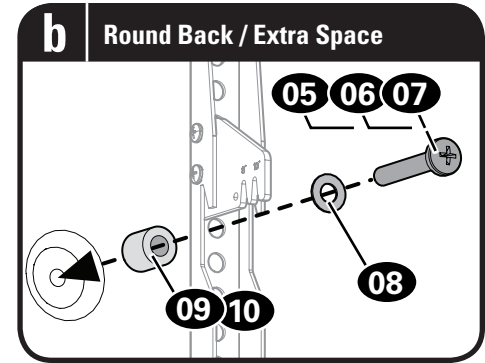
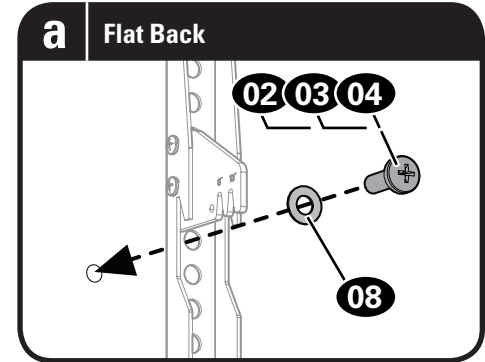
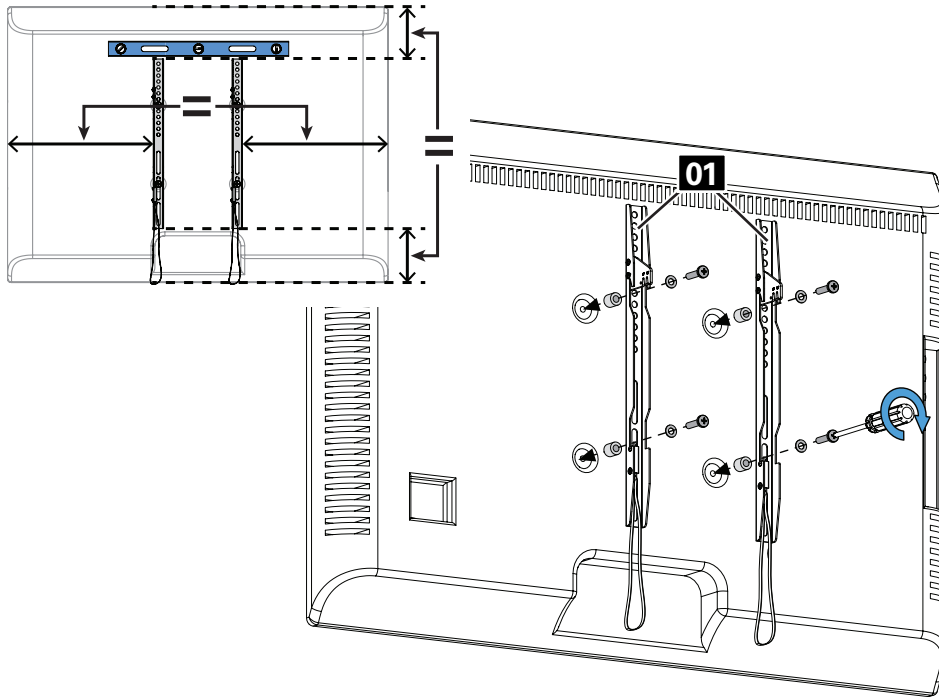


1.4 Attach TV Brackets

Place your TV brackets over your TV mounting holes. Ensure that your TV brackets are level, and vertically centered or close to centered. Install using the TV screw/washer/spacer configuration you selected for your TV.

▲ CAUTION: Avoid potential personal injuries and property damage! DO NOT use power tools for this step. Tighten the screws only enough to secure the TV bracket to the TV. DO NOT overtighten the screws.

! IMPORTANT: Ensure TV bracket is securely fastened before moving on to the next step.



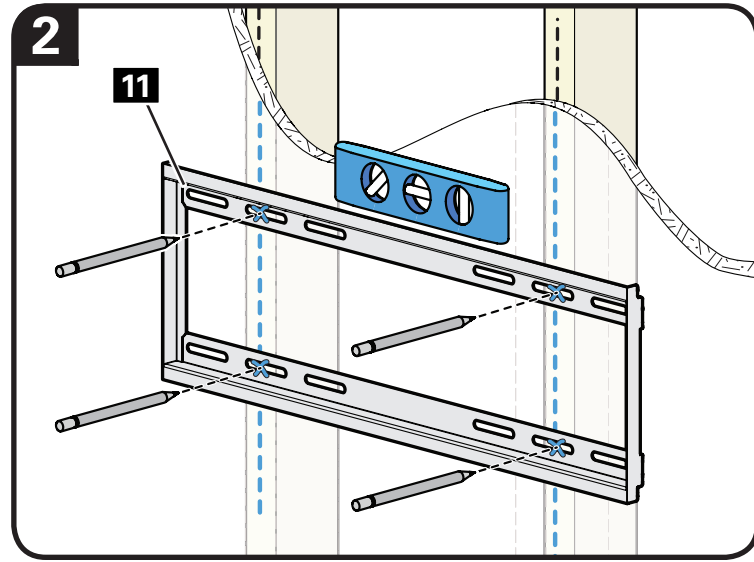
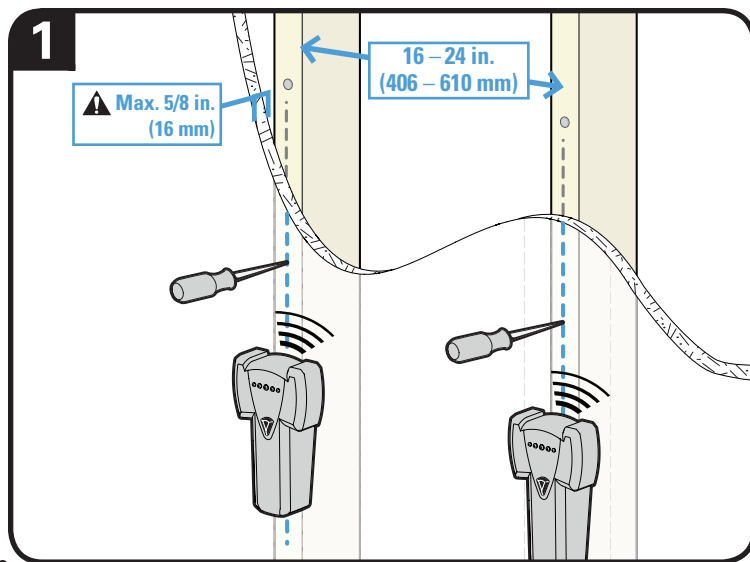
STEP 2A Attach Wall Plate to Wall

Wood Stud Option

⚠ CAUTION: Avoid potential personal injury or property damage!

- Drywall covering the wall, must not exceed 5/8 in. (16 mm)
- Minimum wood stud size: nominal 2 x 4 in. (51 x 102 mm) actual 1½ x 3½ in. (38 x 89 mm)
- Minimum horizontal space between fasteners: 16 in. (406 mm)
- Stud center must be verified

1. Locate your studs. Verify and mark the center of the stud by finding the stud edges using an awl, a thin nail, or an edge to edge stud finder.
2. Position the wall plate **11** at your desired height and line up the holes with your stud center line. Level the wallplate and mark the hole locations.



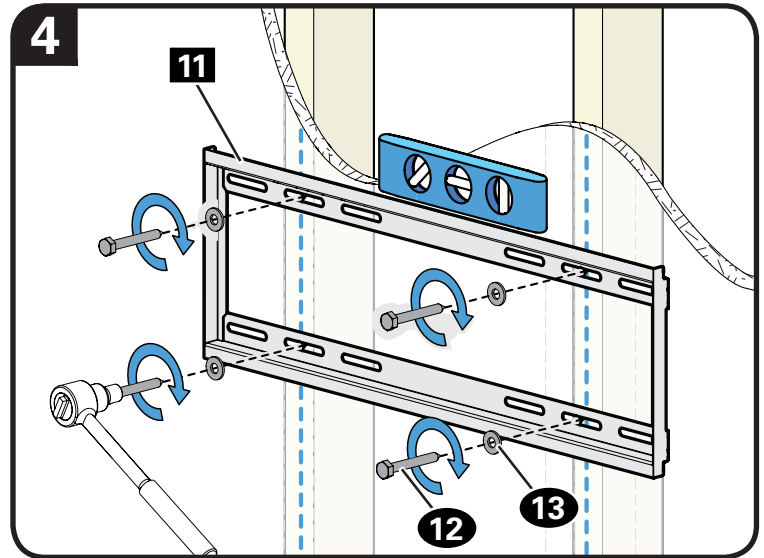
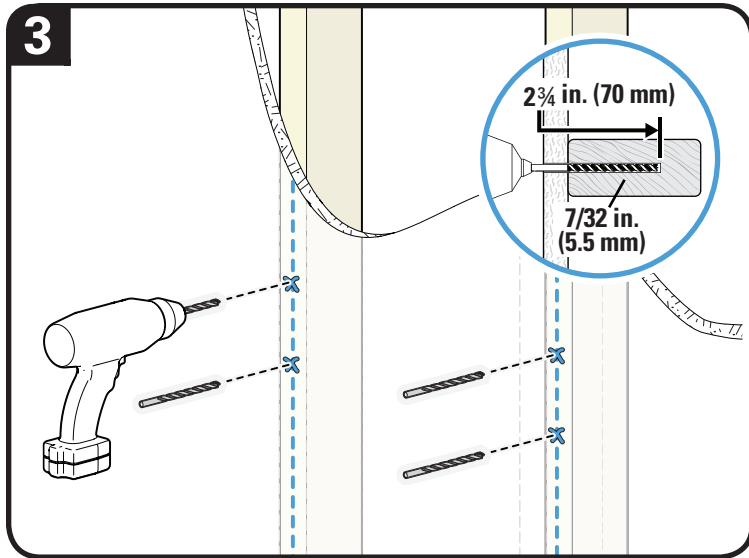
3. Drill pilot holes using a 7/32 in. (5.5 mm) diameter drill bit.

! IMPORTANT: Pilot holes must be drilled to a depth of 2¾ in. (70 mm). Be sure to drill into the center of the studs.

4. Install wall plate **11** using four lag bolts **12** and four washers **13**. Tighten the lag bolts only until they are pulled firmly against the wall plate.

! CAUTION: Improper use could reduce the holding power of the lag bolt. **DO NOT over-tighten the lag bolts.**

Go to STEP 3 on PAGE 14.



STEP 2B Attach Wall Plate to Wall

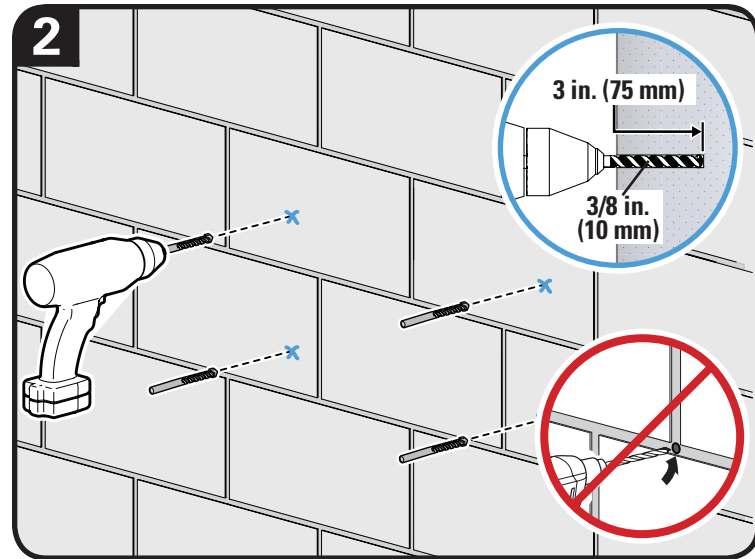
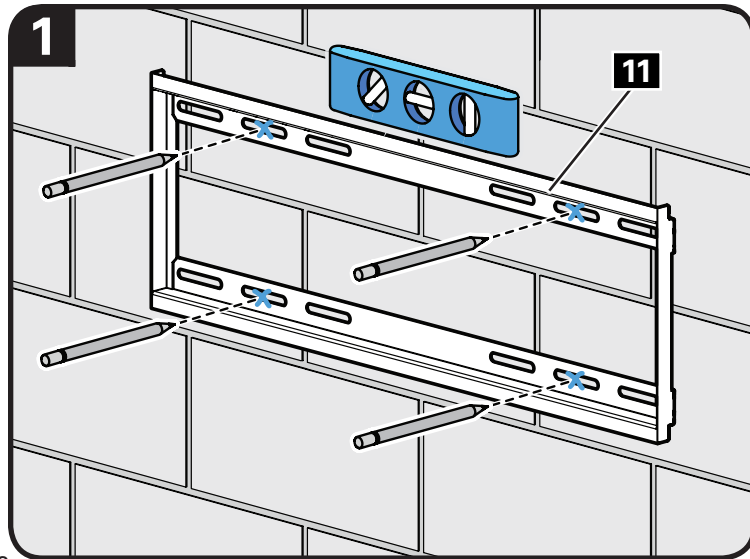
Solid Concrete or Concrete Block Option

⚠ CAUTION: Avoid potential personal injury or property damage!

- Mount the wall plate assembly **11** directly onto the concrete surface.
- Minimum **solid concrete** thickness: 8 in. (203 mm)
- Minimum **concrete block** size: 8 x 8 x 16 in. (203 x 203 x 406 mm)
- Minimum horizontal space between fasteners: 16 in. (406 mm)

1. Position the wall plate **11** on the wall at your desired height. Level the wall plate and mark the hole locations.
2. Drill four pilot holes using a 3/8 in. (10 mm) diameter masonry drill bit.

! IMPORTANT: Pilot holes must be drilled to a depth of 3 in. (75 mm). Never drill into the mortar between blocks.

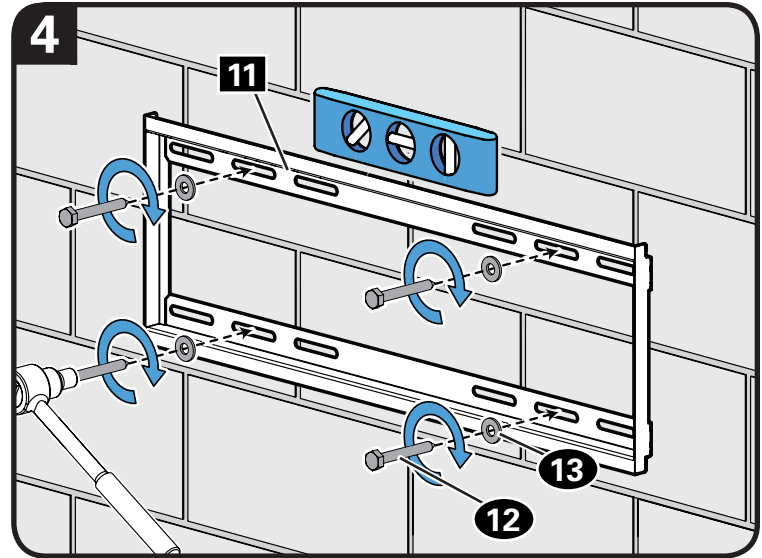
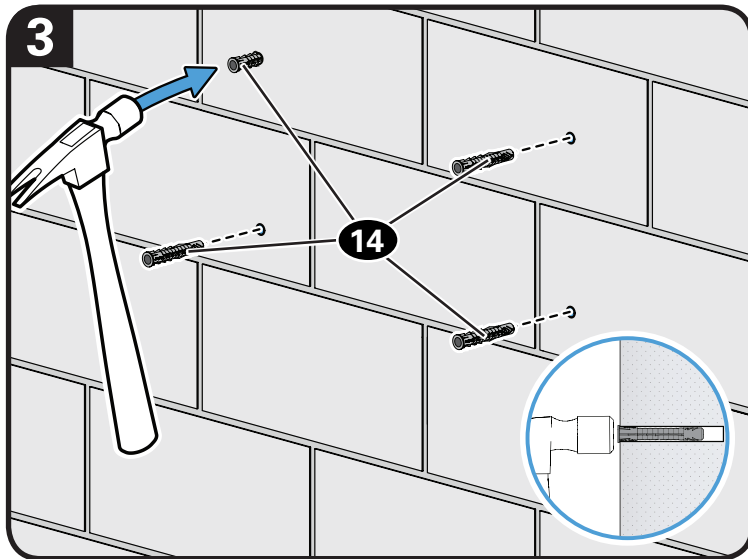


3. Insert four anchors **14**.

⚠ CAUTION: Be sure the anchors are seated flush with the concrete surface.

4. Install wall plate **11** using four lag bolts **12** and washers **13**. Tighten the lag bolts only until they are pulled firmly against the wall plate.

⚠ CAUTION: Improper use could reduce the holding power of the lag bolt. **DO NOT over-tighten the lag bolts.**



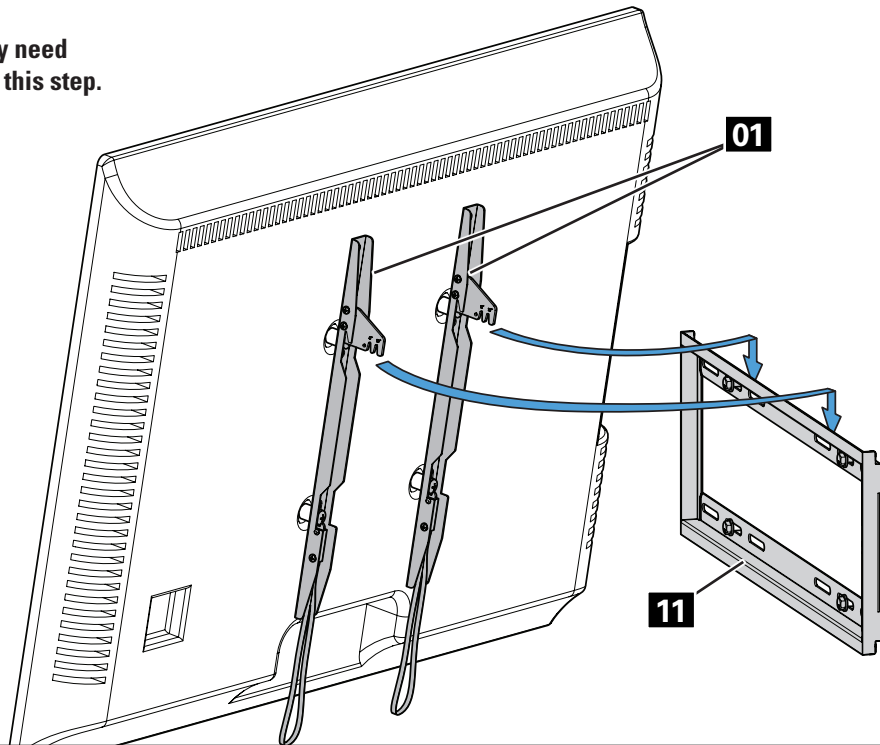
STEP 3 Attach TV to Wall Plate

Hang TV/bracket assembly onto wall plate **11** using predetermined angle (**Step 1.1** pages 6-7).

1

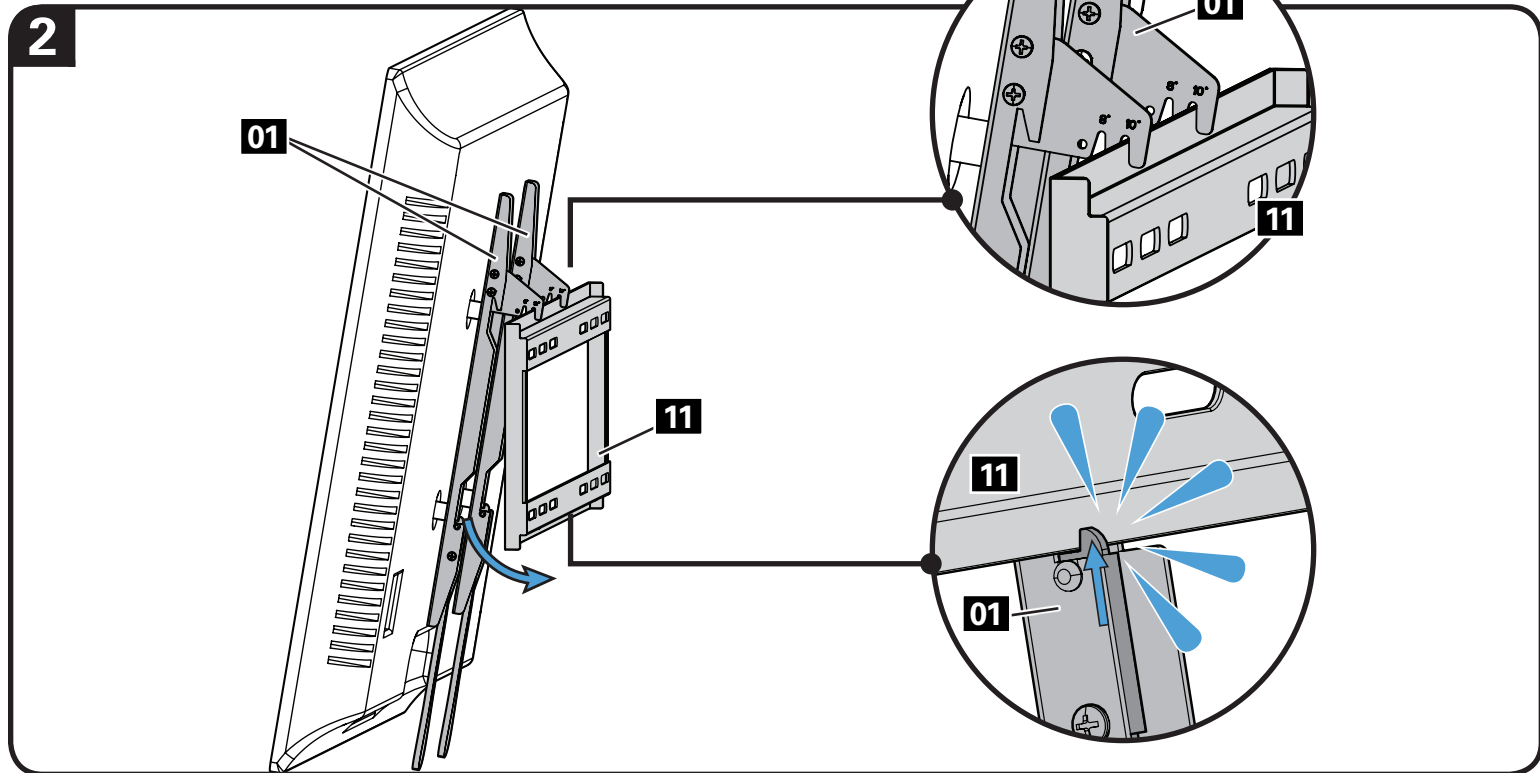


HEAVY! You may need assistance with this step.



Lower the bottom of the TV and press in place.

! IMPORTANT: You will hear an audible click when the TV bracket **01** is securely fastened to the wall plate **11**.

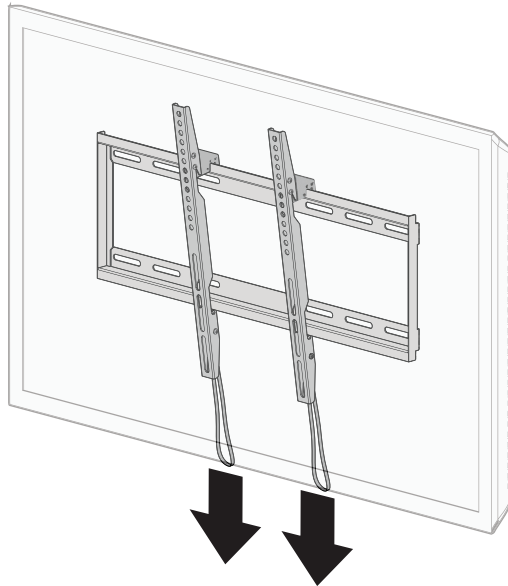


Adjustments

To remove the TV from the wall plate: Pull down and hold the release straps while swinging the bottom of the TV away from the wall plate, then lift the TV up and off the wall plate.



HEAVY! You may need assistance with this step.



MILESTONE LIMITED WARRANTY AND CONNECTED EQUIPMENT WARRANTY

Product Warranty

Milestone warrants to the original purchaser that the product shall be free of defects in materials and workmanship under normal use for one year. When this surge protector operates properly and prevents an energy surge from damaging electrical equipment, the surge protective component will disconnect from the circuit and you will need to buy a replacement product. This warranty extends only to the original purchaser and is nontransferable during the warranty period. Milestone will, at no additional charge, repair or replace defective parts or, at its option, replace the entire unit. This warranty does not extend to any Milestone product that has been damaged or rendered inoperable as intended or defective (a) as a result of accident, misuse or abuse; or (b) by the use of parts not manufactured or sold by Milestone; or (c) by modification of the product.

Connected Equipment Damage Warranty

Milestone will also provide you with a remedy for damage to connected equipment if (i) you have a claim that is covered by the limited product warranty described above, and (ii) Milestone receives a formal warranty claim from you before the end of the warranty period for damage to connected applicable to the affected product. If the conditions listed in the preceding sentence are met, Milestone will provide you with one of the following remedies, provided that it may decide at its sole discretion which remedy it provides. Milestone will (1) replace the damaged connected equipment; (2) pay to repair the damaged connected equipment; or (3) pay you the fair market value of the connected equipment, provided that such payments shall not exceed (i) the maximum coverage amount for the product, or (ii) the amount of actual damage caused by power surges due to a product defect. NOTE: Compensation for restoration of data loss is not covered AND MILESTONE DOES NOT ASSUME ANY LIABILITY FOR ANY LOSS OF PROFIT, REVENUE OR SAVING (WHETHER DIRECT OR INDIRECT) OR FOR ANY INCIDENTAL, CONSEQUENTIAL OR INDIRECT DAMAGES UNDER THIS LIMITED WARRANTY. This Connected Equipment Damage Warranty does NOT cover damage caused by lightning or lightning strikes. Some states do not allow the exclusion or limitation of incidental or consequential damages, so the above limitation or exclusion may not apply to you. THE MAXIMUM AMOUNT OF COVERAGE FOR DAMAGE TO PROPERLY CONNECTED EQUIPMENT IS \$1,000. Nothing in this warranty shall exclude or limit liability for death or personal injury caused by negligence, for fraud or fraudulent misrepresentation or where exclusion or limitation is not permitted by law.

Other Rights. THESE LIMITED WARRANTIES GIVE YOU SPECIFIC LEGAL RIGHTS, AND YOU MAY ALSO HAVE OTHER RIGHTS. THIS WARRANTY DOES NOT AFFECT YOUR STATUTORY RIGHTS. THIS WARRANTY EXTENDS ONLY TO YOU, THE ORIGINAL PURCHASER, AND CANNOT BE TRANSFERRED OR ASSIGNED. If any provision of these limited warranties is unlawful, void or unenforceable, that provision shall be deemed severable and shall not affect any remaining provisions. In case of any inconsistency between the English and other versions of these limited warranties, the English version shall prevail.

Registration. Please register your Product at www.milestone.com. Failure to register does not affect your warranty rights.

FORMAL WARRANTY CLAIM

How To Make A Claim. In the event damage has occurred to a Milestone product or to connected equipment, you must contact Milestone within thirty (30) days of the date you knew or should have known of the damages. Follow all instructions for making a claim. THIS REQUIREMENT THAT YOU NOTIFY MILESTONE WITHIN THIRTY (30) DAYS AFTER YOU DISCOVER OR SHOULD HAVE DISCOVERED A PRODUCT DEFECT AFFECTS AND LIMITS YOUR WARRANTY RIGHTS.

GENERAL PROVISIONS

Choice of Law/Jurisdiction. These limited warranties and any disputes arising out of or in connection with these limited warranties (“Disputes”) shall be governed by the laws of England and Wales, excluding the Convention for the International Sale of Goods. The courts located in England and Wales shall have exclusive jurisdiction over any Disputes.

TO THE MAXIMUM EXTENT PERMITTED BY LAW THESE LIMITED WARRANTIES ARE IN LIEU OF AND IN PLACE OF ALL OTHER EXPRESS OR IMPLIED WARRANTIES, CONDITIONS AND OTHER TERMS.

Secura

Milestone Global Headquarters

6436 City West Parkway
Eden Prairie, MN 55344 USA

800-359-5520

info@milestone.com

Milestone AV Technologies**EMEA Headquarters**

Franklinstraat 14
6003 DK Weert,
Netherlands

P: 0800 056 2853

sanus.europe@milestone.com

Milestone AV Technologies and its affiliated corporations and subsidiaries (collectively, "Milestone"), intend to make this manual accurate and complete. However, Milestone makes no claim that the information contained herein covers all details, conditions, or variations. Nor does it provide for every possible contingency in connection with the installation or use of this product. The information contained in this document is subject to change without notice or obligation of any kind. Milestone makes no representation of warranty, expressed or implied, regarding the information contained herein. Milestone assumes no responsibility for accuracy, completeness or sufficiency of the information contained in this document.

©2019 Milestone AV Technologies. All rights reserved. Secura is a brand of Milestone. Secura, the Secura logo, and MountFinder are trademarks of Milestone.