

WJ-NU201KG

Network Video Recorders

New higher secure level and easy installation NVRs with a build-in PoE+ switch



SPECIFICATIONS

Supported Camera	
Compatible Vendor	i-PRO series Network cameras, ONVIF NVT conformant camera and encoder
Supported Image Format	H.265(HEVC), H.264, JPEG
Supported Image Resolution (Depending on the camera)	<ul style="list-style-type: none"> •Aspect ratio [4 : 3] 3072x2304, 2560x1920, 2048x1536, 1600x1200, 1280x960, 800x600, 640x480 •Aspect ratio [16 : 9] 3840x2160, 3328x1872, 3072x1728, 2688x1520, 2560x1440, 1920x1080, 1280x720, 640x360 •Aspect ratio [1 : 1] 2992x2992, 2816x2816, 2192x2192, 2048x2048, 1440x1440, 1280x1280, 1200x1200 •Aspect ratio [9 : 16] 2160x3840, 1872x3328, 1728x3072, 1520x2688, 1440x2560, 1080x1920, 720x1280, 360x640
Supported Audio Format	AAC-LC, G.711 for ONVIF
Maximum Number of Cameras	MAX. 8
Recording	
Recording Mode	Event, Schedule, Emergency, Pre-event
Pre-alarm Recording	Up to 15 seconds *When the delivery speed from the network camera is less than 4 Mbps.
Sub-stream Recording	-
Scheduled Recording Mode	4 programs, 6 time zones/day, Independent setup for each day of the week
Frame Rate/Camera	Up to 60 fps (Depending on the camera)
Main Unit Functions	
Camera Control	Pan/Tilt, Zoom, Focus, Brightness, Preset position call and program (up to 256), Auto mode, Click centering, Wheel zoom, Zoom reset, Auto Back Focus, Aux, Wiper (for WV-SUD638)
Multiscreen Mode	[Main monitor] <ul style="list-style-type: none"> • Control screen 4 / 9 split screen display • Wide view screen 2 / 3 / 4 / 5 / 6 / 7 / 9 split screen display, 1 screen sequence [Sub monitor] <ul style="list-style-type: none"> 1 screen sequence, 4 / 9 split screen display
Playback Control	PLAY, Rev PLAY, Pause, Stop, FF, FR, Prev Record, Next Record, Prev Image, Next Image, Go to Date, Go to Last (30 s), Time-saving playback
Search Mode	Search criteria : Time date, Playback by designating a timeline, VMD, Thumbnail
Copy	File Format: Original Format / MP4 Recorded data of selected cameras and time date range can be copied to USB storage.
Camera Title	Up to 16 Characters
Clock Display	Time : 12H/24H, Date : 5 formats
Digital Zoom	Live / Play: 1.25x 1.5x 1.75x, 2x, 2.5x, 3x, 3.5x 4x, 5x, 6x, 7x, 8x (only for 1-screen or 4-screen)
System Log	Operator access (500), Network error (100), Error (1,000), Event (1000), Operation (500)
System Setup	Setup page in English, French, Italian, Spanish, German, Portuguese, Thai, Vietnamese, Simplified Chinese, Traditional Chinese, Japanese
360 Camera Dewarp	Only 1ch display mode.
re-encoding	2Client

SD Memory Data Download	Images recorded in the SD card in the i-PRO series cameras can be transferred to the recorder automatically. (H.265/H.264)
-------------------------	--

Browser GUI

Camera Control	Pan/Tilt, Zoom, Focus, Brightness, Preset position call and program (up to 256), Auto mode, Zoom reset, Aux, Wiper (for WV-SUD638)
Playback Control	PLAY, Rev PLAY, Pause, Stop, FF, FR, Prev Record, Next Record, Prev Image, Next Image, Go to Date, Go to Last (30 s)
Search Mode	Search criteria : Time date, Event type, Camera number
Display Mode	1 screen
Image Download	File Format: Original Format Recorded data of selected camera and time range can be downloaded to a PC. Viewer software can be downloaded separately.
Copy	File Format: Original Format / MP4 Recorded data of selected cameras and time date range can be copied to USB storage.
Camera Title	Up to 16 characters
Clock Display	On the browser. Time: 12H/24H, Date: 5 formats
Alarm Control	Reset
Digital Zoom	-
System Log	Operator access (500), Network error (100), Error (1,000), Event (1000), Operation (500)
GUI Language	English, French, Italian, Spanish, German, Portuguese, Thai, Vietnamese, Simplified Chinese, Traditional Chinese, Japanese
Required PC	CPU: Intel® Core™ i7-860 or faster , RAM : 4 GB or more, VRAM: 128 MB or more (Min. 64 MB), Microsoft® DirectX® 9.0c or later

Alarm/Event

Alarm Source	4x Terminal inputs, 8x Camera alarms (TCP alarm notification), 128x Command alarms
Event Mode	Off / On
Alarm Action	Alarm recording, E-mail notification, Alarm message, Camera positioning, Terminal output, TCP/HTTP alarm notification output, Buzzer, Indicator
Alarm Control	Reset
Event log	1000

Input/Output

Monitor (HDMI) Connector	[Main monitor] HDMI 4K UHD(3840x2160p)/30Hz, 4K UHD(3840x2160p)/25Hz, 1920x1080p /60Hz, 1920x1080p /50Hz [Sub monitor] HDMI 1920x1080p /60Hz, 1920x1080p /50Hz
Alarm/Control Terminal	[Alarm] Alarm input 4, Alarm output 1 [Control] +5 V output, Emergency recording input, General purpose input/output [Error / Warning] HDD error / Recording error output, Camera error output
Mouse Connection Port	1 (USB 2.0)
Network Port (PC)	1x 10BASE-T / 100BASE-TX / 1000BASE-T (RJ45)
Network Port (Camera)	8x 10BASE-T / 100BASE-TX(RJ45), (RJ45, PoE+), PoE Budget (8 port Total : Max 110 W, Each port Max : 30 W)
USB Storage	USB 3.0 / USB 2.0 memory, USB 3.0 / USB 2.0 connected HDD (except bus powered device)

Network

Network Interface	10BASE-T / 100BASE-TX / 1000BASE-T (RJ45)
Maximum Recording Rate	64 Mbps
Maximum Bandwidth	Total 128 Mbps
Supported Protocol	IPv4: TCP/IP, UDP/IP, HTTP, HTTPS, SMTP, DNS, NTP, SNMP, RTP, RTSP, ICMP, ARP IPv6: ICMPv6

E-mail	Upon Alarm or Warning
No. of Simultaneous Users	16 or less
User Registration	Up to 32 users
User Level	3 Levels (Programmable)
Partitioning	User level - Camera (View & Control, No Access)
Security Method	User authentication (ID and Password), Host authentication, Alteration detection, SSL/TLS

Other Functions

Time Synchronization	NTP (Server/Client)
Summer Time	User definable (using menu setup)
Remote Monitoring on Smartphone/Tablet	16 clients or less

HDD

Type	3.5 inch
Maximum Capacity	20 TB
RAID	-

Viewer Software

Playback Control	PLAY, Rev PLAY, Pause, FF, FR, Prev Record, Next Record, Prev Image, Next Image
Additional Functions	[NX Viewer] Alteration detection, Save as JPEG, Two times zoom, Print, Copy, Aspect ratio switching, fish eye correction, corridor display
Supported OS, Language	Language of the software will be English or Japanese

General Specifications

Safety / EMC Standard	CE/UKCA (EN55032/EN55035)
Power Source	DC 54 V 2.78 A (included AC power adapter)
Power Consumption	150 W (DC 54 V 2.78 A)
Ambient Operating Temperature	Main body : 0 °C to +45 °C (32 °F to 113 °F) Mouse (provided) : +5 °C to +40 °C (41 °F to 104 °F) AC power adapter (provided) : 0 °C to +40 °C (32 °F to 104 °F)
Ambient Operating Humidity	5 % to 90 % (without condensation)
Maximum Operating Altitude	2,000 m (6,562 feet) above sea level
Dimensions	340 mm (W) x 44 mm (H) x 230 mm (D) {13-3/8 inches (W) x 1-23/32 inches (H) x 9-1/16 inches (D)}
Mass (approx.)	App 2.1 kg {4.6 lbs}

NOTES

Important

- Safety Precautions : Carefully read the Basic Information, Installation Guide and Operating Instructions before using this product.
- i-PRO Co., Ltd. cannot be held responsible for the performance of the network and/or other manufacturers' products used on the network.
- Masses and dimensions are approximate.
- Specifications are subject to change without notice.

Trademarks and registered trademarks

- iPad and iPhone are trademarks of Apple Inc., registered in the U.S. and other countries. - Android is a trademark of Google LLC.
- ONVIF is a trademark of ONVIF, Inc.
- All other trademarks identified herein are the property of their respective owners

OPTIONAL ACCESSORIES

Select a compatible accessory
[Accessory Selector \(i-pro.com\)](#).



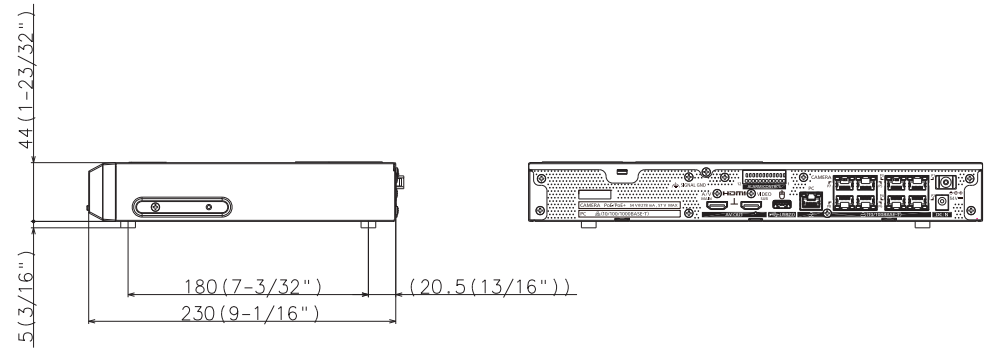
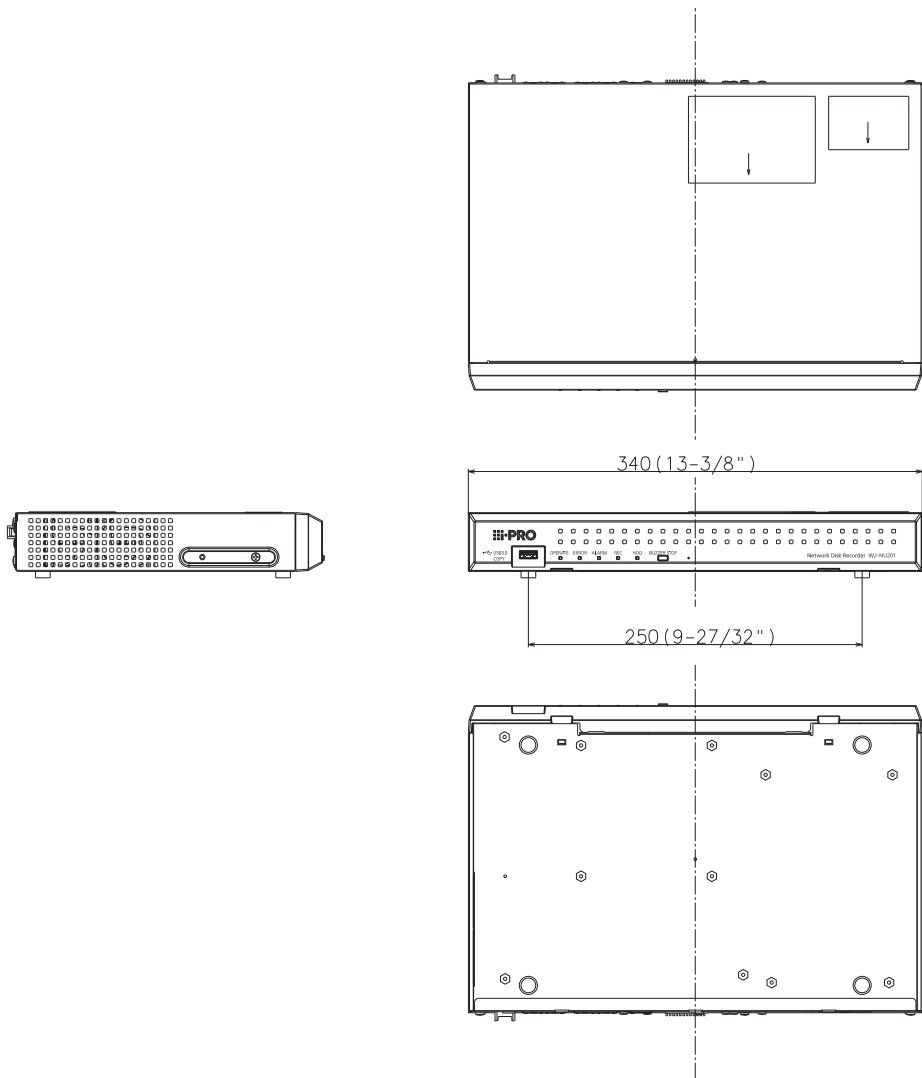
WV-QRM001
Mount Bracket



WV-QRM101
Mount Bracket



WV-QRM201
Wall mounting



WJ-NU201KP
WJ-NU201KG

Desktop installation