

MAC

Electromechanical automation for swing gates
up to 3 m - 400 kg



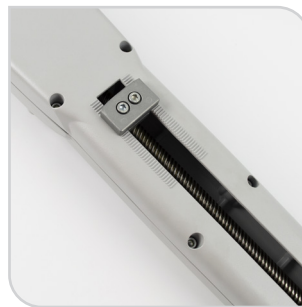
For residential and
collective usage



Available in 230V and 24V



MAC



Door opening up to 110°

The sturdiness of this Operator is guaranteed by the monobloc body

Get rid of ground stops by using the mechanical stops (optionals)

Standard fixing plates are standard. If you need more versatility in the installation, you can use the optional adjustable fixing plates (art. MLS / SFR).



The robust mechanical gears and cogs guarantees reliability and durability over time



The DE@NET universal control board make this operator compatible with NETLINK System.

p.11



Compatible with NETCOM, the device for installation maintenance and remote control management!



Models

230V ~ operators without control board



MAC with standard key release

COD.	Art.				OTHER CHARACTERISTICS
625010	MAC		395mm without MAC/FM 334mm with MAC/FM		• For leaves up to 3m length
625014	MAC-BLACK				

For MAC: fixing plate to be welded included

For STING: adjustable fixing plates to be screwed included (art. MLS/SFR)

Control board to complete the installation: control board cod. 677610 art. NET230N/C (with box)

24V = operators without control board



MAC with standard key release

COD.	Art.			OTHER CHARACTERISTICS
625040	MAC/24		395mm without MAC/FM 334mm with MAC/FM	• For leaves up to 3m length
625044	MAC/24-BLACK			

For MAC: fixing plate to be welded included

For STING: adjustable fixing plates to be screwed included (art. MLS/SFR)

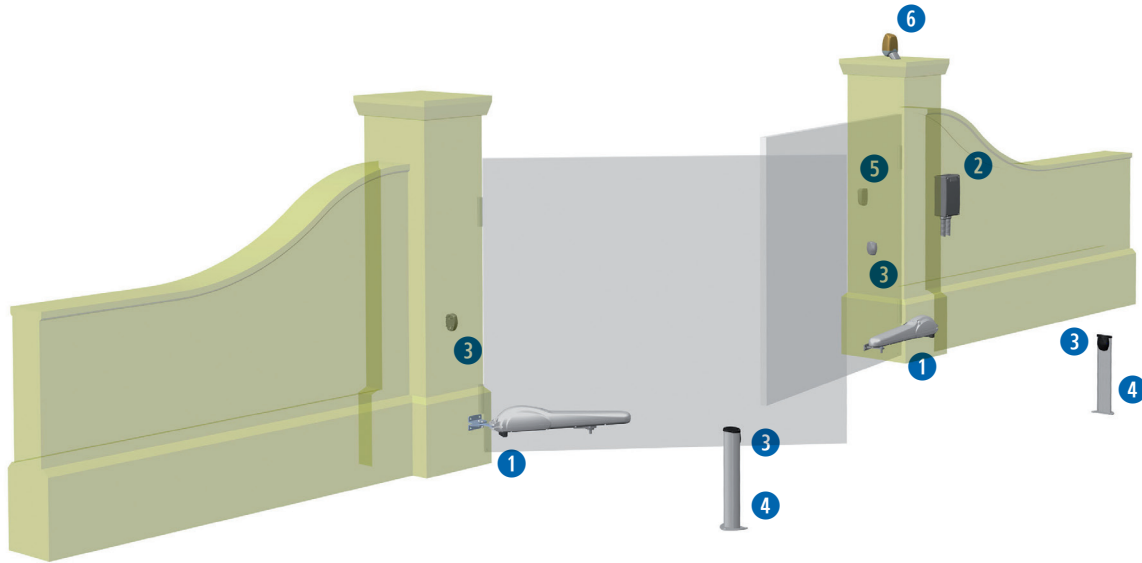
Control board to complete the installation: control board cod. 678261 art. NET24N/C (with box)

Technical info

TECHNICAL INFO	MAC	MAC24
Motor power supply (V)	230V ~ ± 10 % (50/60 Hz)	24V =
Maximum power absorption (W)	300	60
Max thrust (N)	1650	1000
Time with total stroke (s)	21	22
90° Opening time (s)*	16	
Duty cycle (cycles/hours)	18	40
N. max cycles in 24h	90	
Built-in capacitor (µF)	8	/
Operating temperature (°C)	-20 ÷ 50	
Motor thermal protection (°C)	150	/
Weight with packing (Kg)	8,8	
Sound pressure (dBA)	< 70	
Protection level	IPX4	

*the opening time of the leaf at 90° may be lower accordingly to the geometry of the installation

Example of a typical installation



KIT


1



COD. 625010
Art. MAC
Electromechanical automation for swing gates

KIT

2



COD. 677610
Art. NET230NC
Universal digital control board for 1 or 2 operators, 230V with or without magnetic encoder (with box)

KIT

3



COD. 662080
Art. LINEAR/XS
Pair of mini synchronizable photocell for outdoor installation. Maximum range 20m

4



COD. 664000
Art. PILLY/60
55cm column for photocell (2 pcs)

COD. 629300
Art. MAC/FM
Mechanical stops for MAC/STING (2 pcs) - for 1 operator




5



COD. 663090
Art. GT-KEY
Metal vandal proof keyswitch with two contacts, surface mounted. Supplied with 2 keys.

KIT


6



COD. 661130
Art. AURA N
Multi-voltage LED flashing light 24AC-DC / 120AC / 230AC and with integrated 433MHz / 868MHz antenna

KIT

COD. 672645
Art. GTI4
Serialized white 4-channel remote control, 433 MHz, with 3 coding: HCS Rolling-Code, Dip-Switch and new D.A.R.T. coding



COD. 668010
Art. 127
Warning sign



KIT for further details on the kits see price list

Specific accessories

COD. 629300
Art. MAC/FM
Mechanical stops for MAC/STING (2 pcs) - for 1 operator



COD. 629320
Art. MAC-LOOK/P
Extension for MAC/STING and LOOK rams



COD. 629312
Art. MLS/SFR
Adjustable fixing plates to be screwed



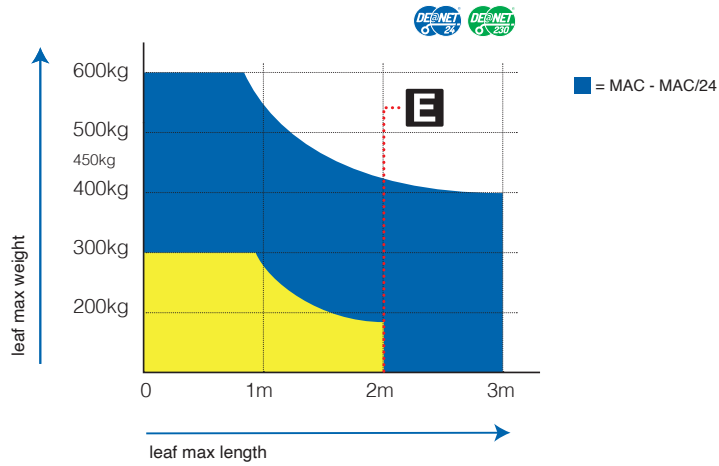
COD. 629250
Art. COL 515
Anti-fall Stainless steel cable with 2 holes for swing gates



COD. 629381
Art. SB
Back overhead door fixing plate for LOOK, MAC, STING

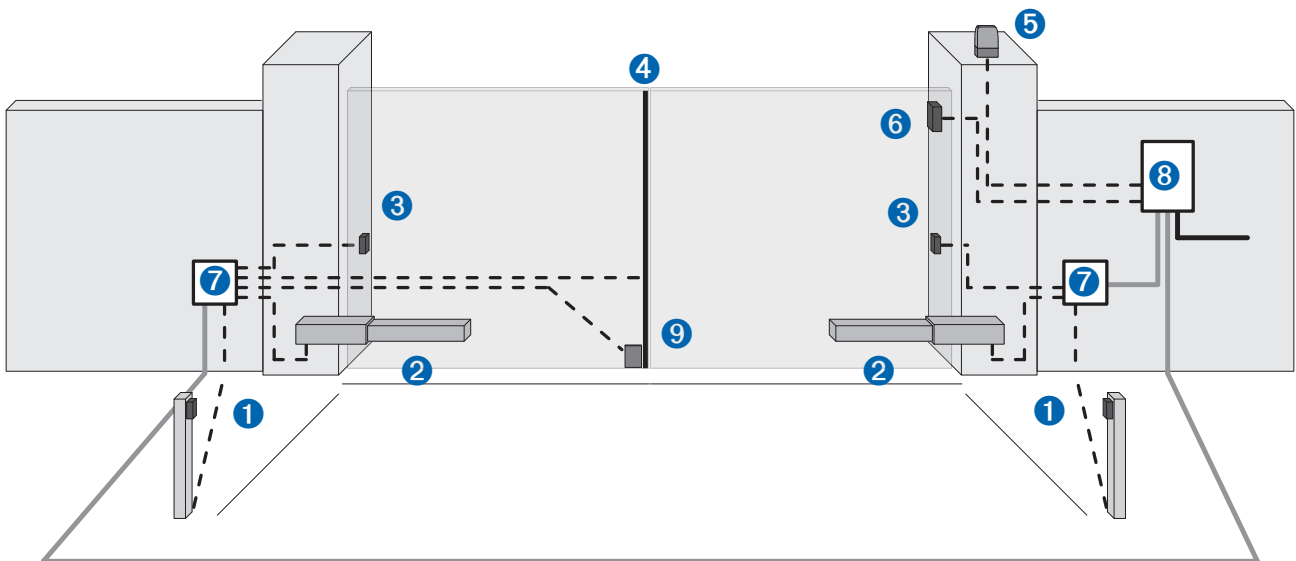


Guide to use



If the leaf length is bigger than 2m or if you use reversible models you must install the electric-lock to block the gate in closed position. The height and the leaf structure, as well as the presence of strong wind, can cause the reduction of the value of the data contained in table or make it necessary to use an electric lock also for leaves shorter than 2m.

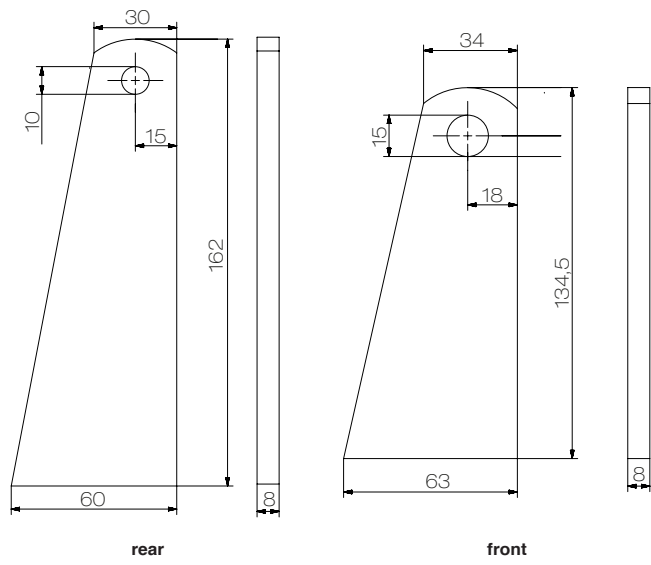
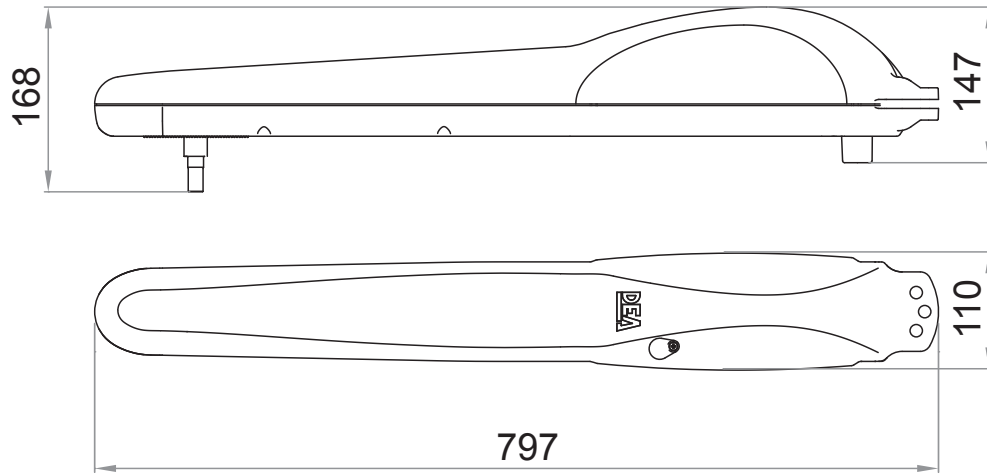
Wiring



- Corrugated pipe for power supply cable
- Ø40 corrugated pipe for connection between the control board and the junction box
- - - Ø20 corrugated pipe or external PVC conduit for connection between the control board and the command and safety accessories

pos.	description
1	Column with photocells
2	Operator
3	Photocells
4	Safety edge
5	Flashing light
6	Keyswitch / Digicode
7	Junction box
8	Control board
9	Electric-lock

Dimensions



Dimensions

All measures in mm

with Art. FM in opening and closing						
α	A	B	C	D	E	F
90°	150	150	300	690	125	0 ÷ 75
	180	150	331	685	145	100*
	210	150	363	685	145	125*
110°	135	160	321	690	125	0 ÷ 50

*Art. FM should be removed

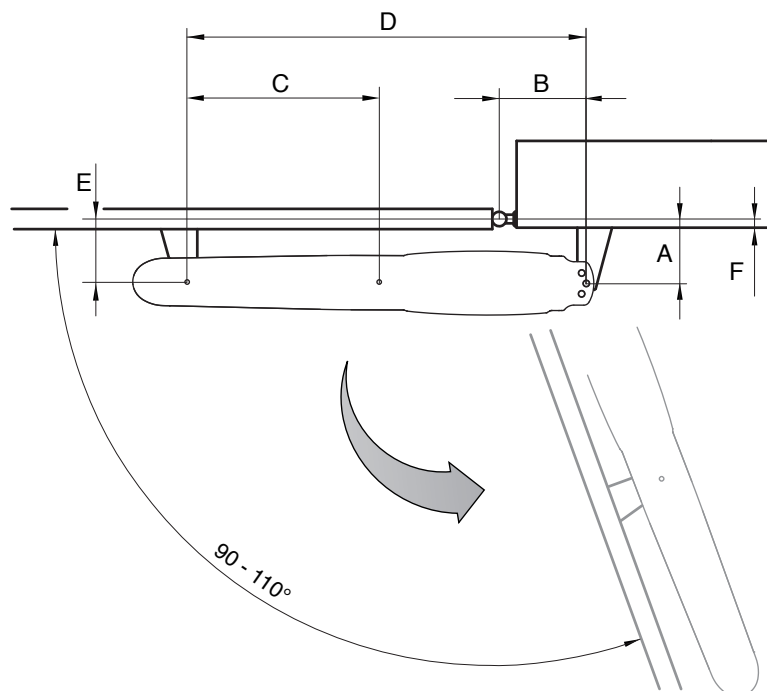
FM=mechanical Limit switch am Antrieb Cod.629300

without Art. FM						
α	A	B	C	D	E	F
90°	150	150	300	720	125	0 ÷ 75
	180	150	331	720	145	100
	210	150	363	715	140	125
	230	150	385	715	145	150
100°	135	160	321	720	125	0 ÷ 50
110°	135	185	375	720	125	0 ÷ 25

SB=back over head door fixing plate Cod. 629381

with Art. SB							notes
α	A	B	C	D	E	F	
90°	120	150	300	780	115	0-30	mechanical limit switch in opening and closing (Stroke=334mm)
	120	150	321	780	135	50	
	90	150	321	780	135	80	
	70	150	321	780	135	100	without limit switch (Stroke=400mm)
	90	160	373	810	145	120	
	70	160	384	810	145	150	
100°	130	170	384	810	125	0-20	without limit switch in closing (Stroke=367mm)
	100	170	384	810	125	30-50	
	70	170	384	810	125	80	

SB=back over head door fixing plate Cod. 629381



DEAuser



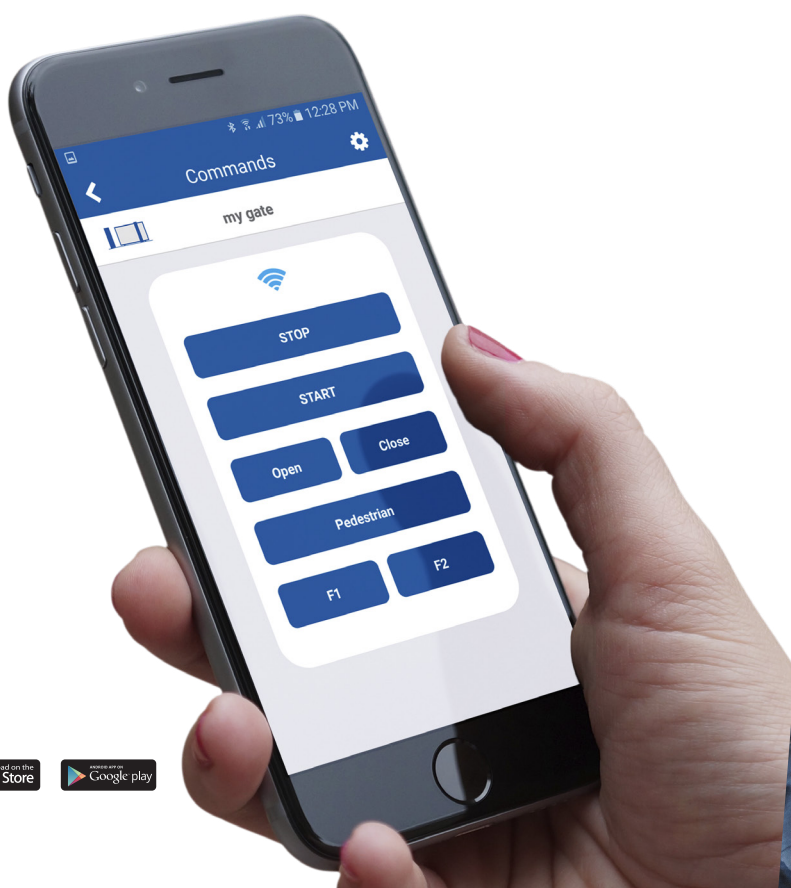
DEAuser is the app for **private users** that allows activation of automation at **close proximity** via Bluetooth.

By installing the NET-NODE on all devices with NETLINK technology, users can control their automations through their smart devices.

To be used with:



Art.NET-NODE
Cod.677640



DEAinstaller



DEAinstaller is the App dedicated to the **professional installer** and allows Installers to program and manage DEA automations on-site in a simple and intuitive way from their smart devices.

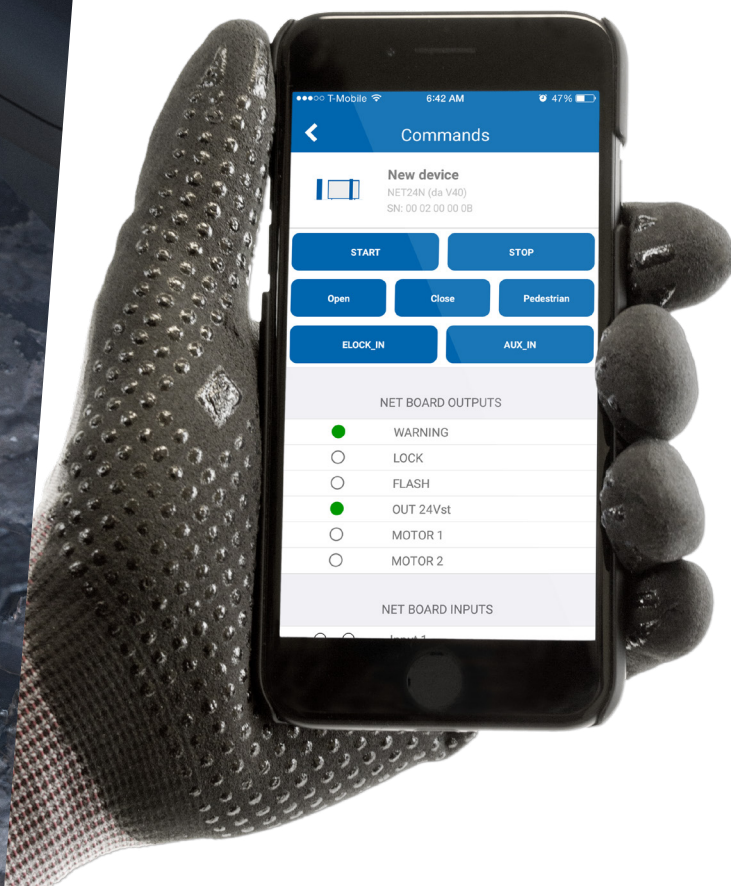
If you use it with the NET-NODE you can:

- ✓ keep a **data backup** of all installations
- ✓ easily adjust the **parameters** of control boards
- ✓ update the **firmware**
- ✓ program the **maintenance**
- ✓ manage or customise the **remotes**
- ✓ read **technical manuals** or have a look at the **electrical connections**
- ✓ control the **inputs** and **output** of the control boards
- ✓ **control** the automation with the App

To be used with:



Art.NET-NODE
Cod.677640



Generic accessories



AURA N
cod. 661130

- ✓ 24V
- ✓ 120V
- ✓ 230V

LINEAR XS
cod. 662080

LINEAR
cod. 662044

COVER/2
cod. 681060

LINEAR SHIELD
cod. 662047

PILLY 60 -120
cod. 664000 - 664010

DIGIPRO
cod. 663310

DIGISLIM
cod. 663311

GT-KEY
cod. 663090

DIGIRAD
cod. 663280

BAT
cod. 629290

GTI2-GTI4
cod. 672635 - 672645

GTI2M-GTI4M
cod. 672603 - 672613

#safeasyoulike!

Non-copyable remotes!

GTI remotes are multi-function. They have three coding possibilities: DIP SWITCH, Rolling Code and D.A.R.T. the new DEA advanced coding.

You can customise the code of the remotes to guarantee the maximum security to your customer.

- D.** DEA
- A.** Advanced
- R.** Rolling Code
- T.** Transmission

Looking for **total safety**?
With **NET-BOX** each installer can customise the code of your GTI remotes.



#colourasyoulike!

Choose your favorite colour!

GTI remotes can be customised with button kits in seven colours: green, light green, blue, pink, yellow, orange and purple.

- GREEN
- LIGHT GREEN
- BLUE
- PINK
- YELLOW
- ORANGE
- PURPLE



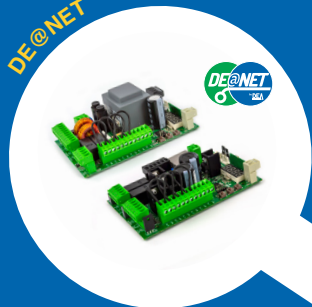
Note: button kits are supplied in packs of 5. The remote must be ordered separately.



NETLINK

is our technology applied to DEA devices for the smart management of your installations, both **locally** and **remotely**.

DE@NET



One control board for all our motors, available in 230V and 24V versions.

NET-COM



The device for the managing installations remotely.

NET-NODE



The device for managing installations locally.

NET-BOX



The device for managing remotes from your office.

DEA User & DEA Installer



DEAINSTALLER:
the App for creating and managing each installation directly from your smartphone.



DEAUUSER:
the App for opening and closing your DEA gate with just one touch, locally.



Our range

Automations for sliding gates



LIVI N



REV



GULLIVER



Automations for sectional doors



SPACE



ADVANCE



LIVI 902



Automations for swing gates



MAC



STING



LOOK



GEKO



LIVI 502



GHOST 100/200



OLI N



Automations for industrial gates



LATO



550 PL



Barriers



PASS



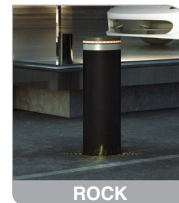
STOP



TRAFIK



Bollards



ROCK



HEADQUARTER
DEA SYSTEM S.p.A.
 Via della Tecnica, 6 - 36013 Piovene Rocchette (VI) - ITALY
 ☎ + 39.0445.55.07.89 - 📠 + 39.0445.55.02.65
 info@deasystem.com - www.deasystem.com

Branches > Italia, France, United Kingdom, Ireland, España, Portugal, Polska, Deutschland, Беларусь

> HEAD OFFICE
DEA GATE AUTOMATION Ltd.
 Sandholes Road - Cookstown - Co. Tyrone
 BT80 9AR - IRELAND
 ☎ + 44 (0)28 8676 6476 - 📠 + 44 (0)28 8676 2414
 info@deagateautomation.com

DEA GATE AUTOMATION Ltd.
 Unit 31 - The IO Centre - Hearle Way - Hatfield - Hertfordshire
 AL10 9EW - UNITED KINGDOM
 ☎ + 44 (0)17.07.24.65.99
 info@deagateautomation.co.uk