

OLIN

Hydraulic automation for swing gates
up to 4,5 m - 500 kg



For collective and
industrial usage



Available in 230V





Wide range of models with:

- locking in opening and/or closing
- reversible or slow models for any kind of installation need

Quick release with customised metal key, protected from the weather.

Fixing plates to be welded as standard. Greater installation versatility thanks to the optional adjustable fixing plates (art. MLS / SFR).



Available in short version (useful stroke 270mm) or long version (useful stroke 400mm)



The DE@NET external universal control board make this operator compatible with NETLINK System.

 p.11



Compatible with NETCOM, the device for installation maintenance and remote control management!



Models

Hydraulic rams 230V ~ without control board



Stroke 270mm

COD.	Art.				OTHER CHARACTERISTICS
624005	OLI 602AN	● ● ●	A	270mm	• Self-locking in open position only, for leaves up to 2m length
624055	OLI 602LAN	● ● ●	A	270mm	• Self-locking in open position only, slow version, for leaves up to 2,5m length
624004	OLI 602N	● ● ●	C	270mm	• Self-locking in close position only, for leaves up to 2m length
624054	OLI 602LN	● ● ●	C	270mm	• Self-locking in close position only, slow version, for leaves up to 2,5m length
624013	OLI 603N	● ● ●		270mm	• Self-locking in open and close position, for leaves up to 2m length
624063	OLI 603LN	● ● ●		270mm	• Self-locking in open and close position, slow version, for leaves up to 2,5m length
624023	OLI 604N	● ● ●	✓	270mm	• Not self-locking, for leaves up to 2,5m length
624073	OLI 604LN	● ● ●	✓	270mm	• Not self-locking, slow version, for leaves up to 3m length

All models: fixing plates to be welded included (art.0/353-0/653)

Control board to complete the installation: control board cod. 677610 art. NET230N/C (with box)

All models: in order to respect the limit of impact forces foreseen by EN 12453-1, you must use the external safety devices in compliance with EN 12978.

Stroke 400mm

COD.	Art.				OTHER CHARACTERISTICS
624033	OLI 605N	● ● ●		400mm	• Self-locking in open and closed position, for leaves up to 2,5m length
624083	OLI 605LN	● ● ●		400mm	• Self-locking in open and closed position, slow version, for leaves up to 3m length
624043	OLI 606N	● ● ●	✓	400mm	• Not self-locking, for leaves up to 3,5m length
624093	OLI 606LN	● ● ●	✓	400mm	• Not self-locking, slow version, for leaves up to 4,5m length
624104	OLI 607AN	● ● ●	A	400mm	• Self-locking in open position, for leaves up to 3m length
624114	OLI 607LAN	● ● ●	A	400mm	• Self-locking in open position, slow version, for leaves up to 3,5m length

All models: fixing plates to be welded included (art.0/353-0/653)

Control board to complete the installation: control board cod. 677610 art. NET230N/C (with box)

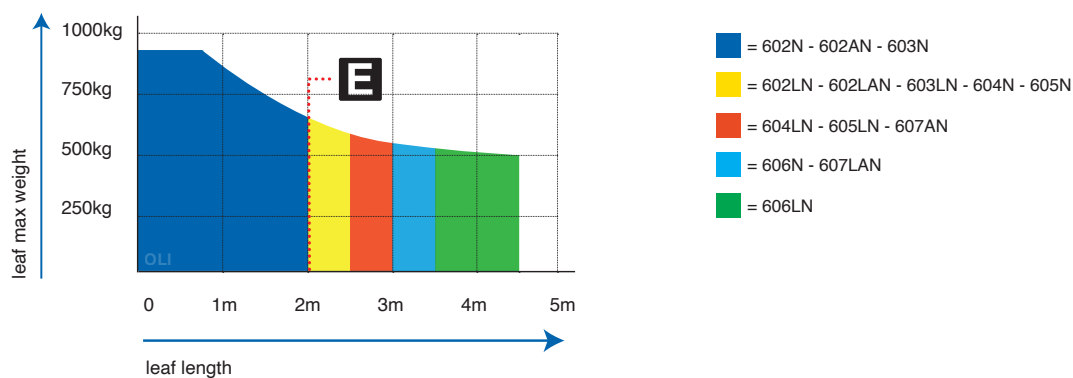
All models: in order to respect the limit of impact forces foreseen by EN 12453-1, you must use the external safety devices in compliance with EN 12978.

Technical info

TECHNICAL INFO	OLI 602N - OLI 602AN - OLI 603N - OLI 604N	OLI 605N - OLI 606N - OLI 607AN	OLI 602LN - OLI 602LAN - OLI 603LN - OLI 604LN	OLI 605LN - OLI 606LN - OLI 607LAN
Motor power supply (V)	230V ~ ± 10 % (50/60 Hz)			
Maximum power absorption (W)	170			
Max thrust (N)	3980		5600	
Max traction force (N)	3200		4460	
Duty cycle (cycles/hours)	60		50	40
N. max cycles in 24h.	480		400	320
Built-in capacitor (µF)	8			
Operating temperature (°C)	-20 ÷ 50			
Motor thermal protection (°C)	130			
90° Opening time (s)	21	31	30	40
Weight with packing (Kg)	11,4	13	11,4	13
Sound pressure (dBA)	< 70			
Protection level	IP55			

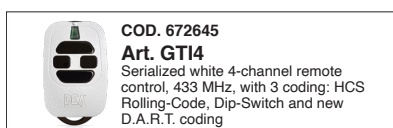
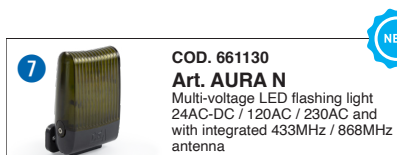
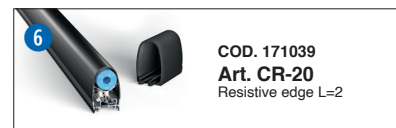
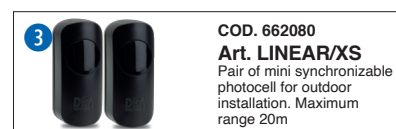
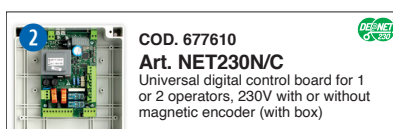
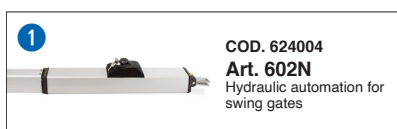
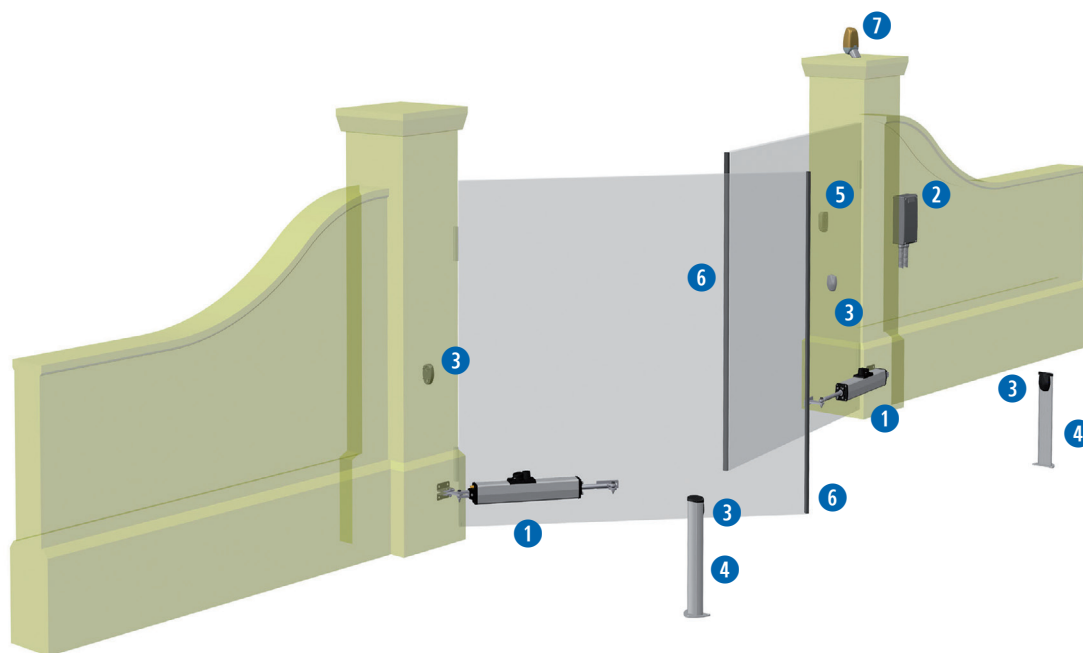
Used Oil: AGIP Arnica A15

Guide to use



If the leaf length is bigger than 2m or if you use reversible models you must install the electric-lock to block the gate in closed position. The height and the leaf structure, as well as the presence of strong wind, can cause the reduction of the value of the data contained in table or make it necessary to use an electric lock also for leaves shorter than 2m.

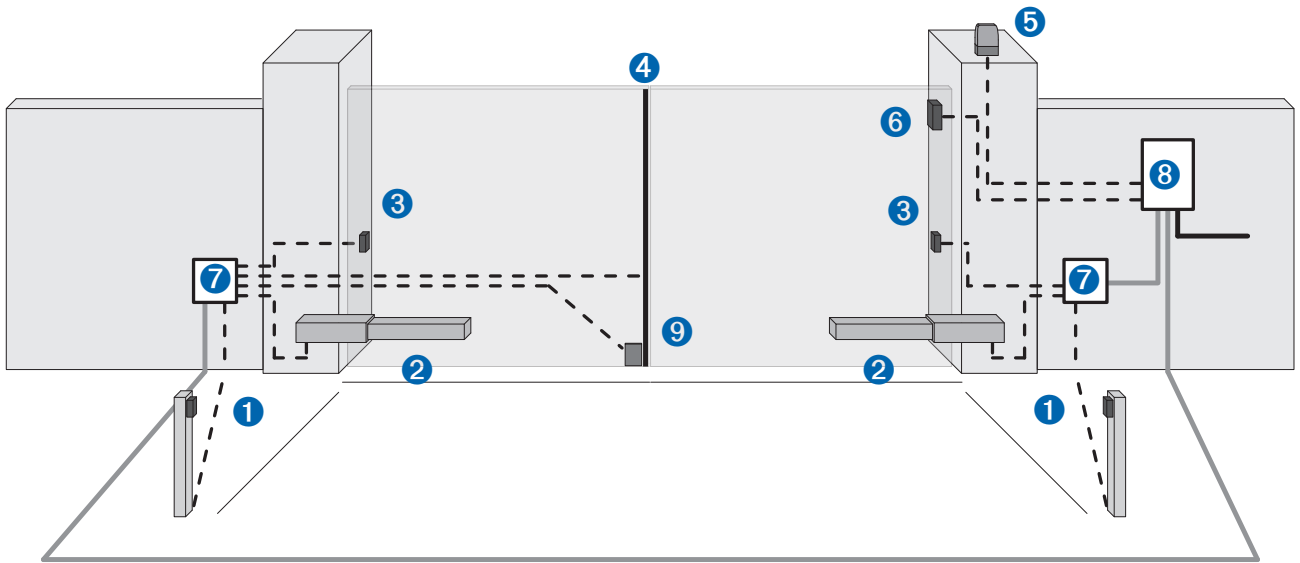
Example of a typical installation



SPECIFIC ACCESSORIES



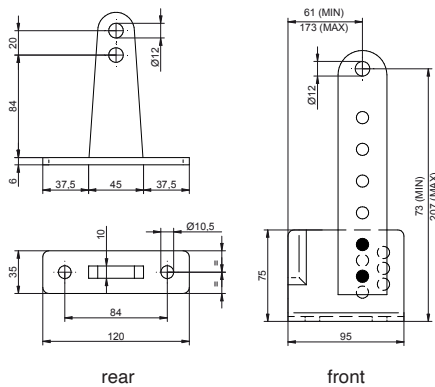
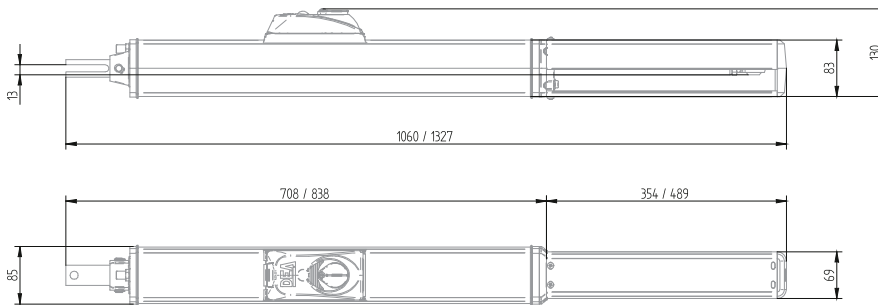
Wiring



- Corrugated pipe for power supply cable
- Ø40 corrugated pipe for connection between the control board and the junction box
- - - Ø20 corrugated pipe or external PVC conduit for connection between the control board and the command and safety accessories

pos.	description
1	Column with photocells
2	Operator
3	Photocells
4	Safety edge
5	Flashing light
6	Key switch/Keypad
7	Junction box
8	Control board
9	Electric-lock

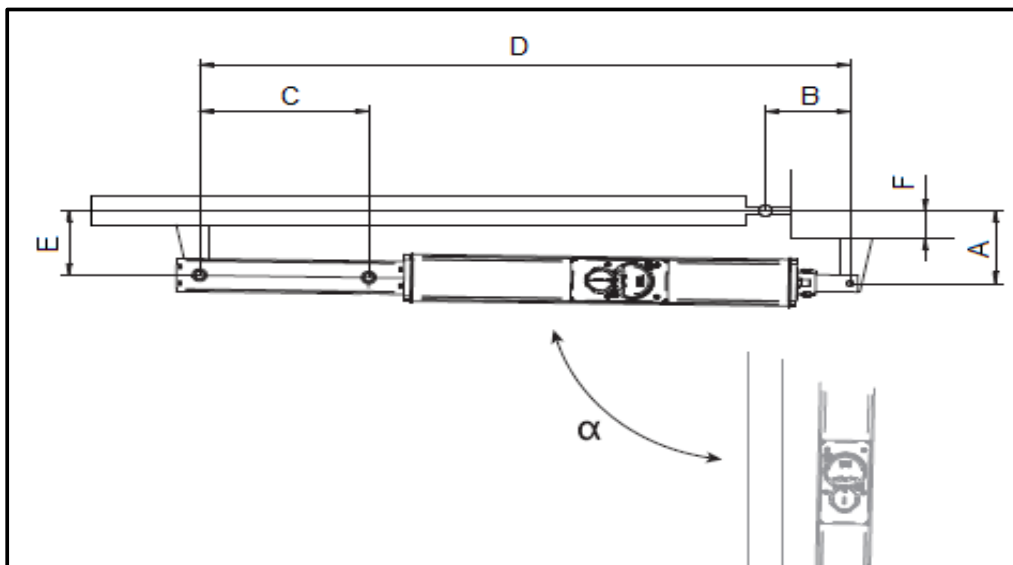
Dimensions



Installation dimensions

All measures in mm

Stroke	α	OLI					F
		A	B	C	D	E	
270	90°	130	130	260	1000	115	0 ÷ 80
400	90°	230	150	385	1260	135	0 ÷ 150
	110°	130	190	377	1260	115	0 ÷ 50



DEAuser



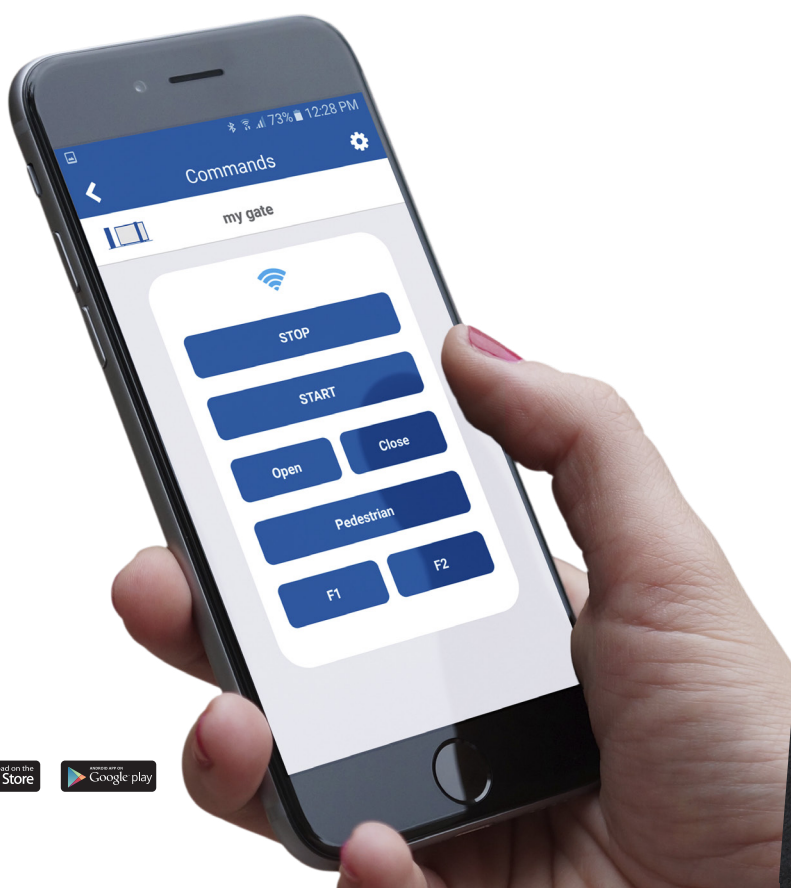
DEAuser is the app for **private users** that allows activation of automation at **close proximity** via Bluetooth.

By installing the NET-NODE on all devices with NETLINK technology, users can control their automations through their smart devices.

To be used with:



Art.NET-NODE
Cod.677640



DEAinstaller



DEAinstaller is the App dedicated to the **professional installer** and allows Installers to program and manage DEA automations on-site in a simple and intuitive way from their smart devices.

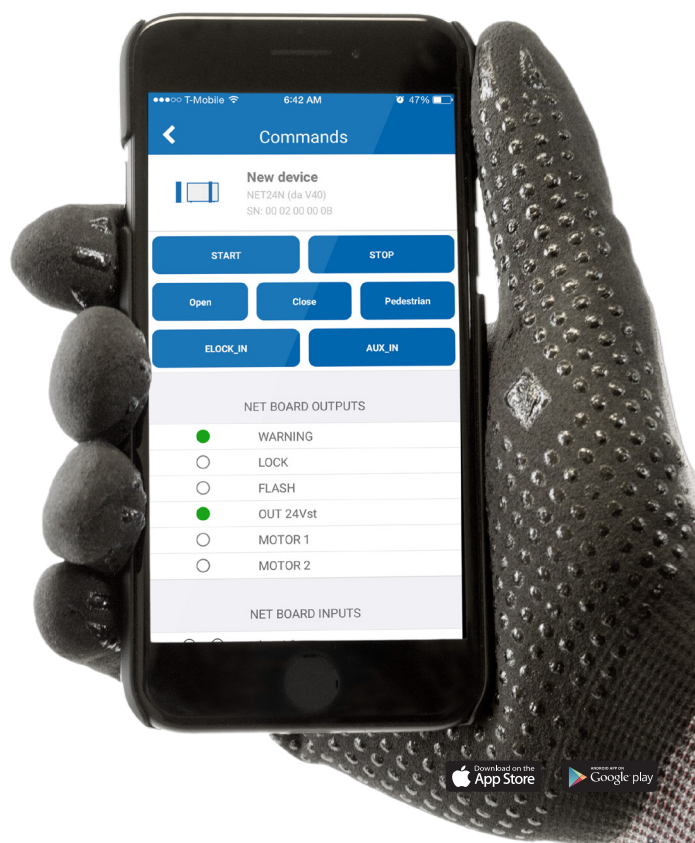
If you use it with the NET-NODE you can:

- ✓ keep a **data backup** of all installations
- ✓ easily adjust the **parameters** of control boards
- ✓ update the **firmware**
- ✓ program the **maintenance**
- ✓ manage or customise the **remotes**
- ✓ read **technical manuals** or have a look at the **electrical connections**
- ✓ control the **inputs** and **output** of the control boards
- ✓ **control** the automation with the App

To be used with:



Art.NET-NODE
Cod.677640



Generic accessories



✓ 24V
✓ 120V
✓ 230V

AURA N

cod. 661130



LINEAR XS

cod. 662080



LINEAR

cod. 662044



COVER/2

cod.681060



LINEAR SHIELD

cod. 662047



PILLY 60 -120

cod. 664000 - 664010



DIGIPRO

cod. 663310



DIGISLIM

cod. 663311



GT-KEY

cod. 663090



DIGIRAD

cod. 663280



BAT

cod. 629290



GTI2-GTI4

cod. 672635 - 672645



GTI2M-GTI4M

cod. 672603 - 672613

#safeasyoulike!

Non-copyable remotes!

GTI remotes are multi-function. They have three coding possibilities: DIP SWITCH, Rolling Code and D.A.R.T. the new DEA advanced coding.

You can customise the code of the remotes to guarantee the maximum security to your customer.

D. DEA
A. Advanced
R. Rolling Code
T. Transmission

Looking for **total safety**?
With **NET-BOX** each installer can customise the code of your GTI remotes.



#colourasyoulike!

Choose your favorite colour!

GTI remotes can be customised with button kits in seven colours: green, light green, blue, pink, yellow, orange and purple.



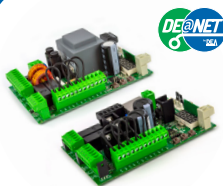
Note: button kits are supplied in packs of 5. The remote must be ordered separately.



NETLINK

is our technology applied to DEA devices for the smart management of your installations, both **locally** and **remotely**.

DE@NET



One control board for all our motors, available in 230V and 24V versions.

NET-COM



The device for the managing installations remotely.

NET-NODE



The device for managing installations locally.

NET-BOX



The device for managing remotes from your office.

DEA User & DEA Installer



DEInstaller:
the App for creating and managing each installation directly from your smartphone.



DEUser:
the App for opening and closing your DEA gate with just one touch, locally.



Our range

Automations for sliding gates



LIVI N



REV



GULLIVER



Automations for sectional doors



SPACE



ADVANCE



LIVI 902



Automations for swing gates



MAC



STING



LOOK



GEKO



LIVI 502



GHOST 100/200



OLI N



Automations for industrial gates



LATO



550 PL



Barriers



PASS



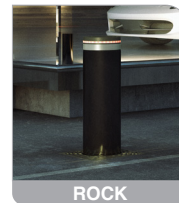
STOP



TRAFIK



Bollards



ROCK



HEADQUARTER
DEA SYSTEM S.p.A.
 Via della Tecnica, 6 - 36013 Piovone Rocchette (VI) - ITALY
 ☎ + 39.0445.55.07.89 - 📠 + 39.0445.55.02.65
 info@deasystem.com - www.deasystem.com

Branches > Italia, France, United Kingdom, Ireland, España,
 Portugal, Polska, Deutschland, Беларусь

> HEAD OFFICE
DEA GATE AUTOMATION Ltd.
 Sandholes Road - Cookstown - Co. Tyrone
 BT80 9AR - IRELAND
 ☎ + 44 (0)28 8676 6476 - 📠 + 44 (0)28 8676 2414
 info@deagateautomation.com

DEA GATE AUTOMATION Ltd.
 Unit 31 - The IO Centre - Hearle Way - Hatfield - Hertfordshire
 AL10 9EW - UNITED KINGDOM
 ☎ + 44 (0)17.07.24.65.99
 info@deagateautomation.co.uk