

PJM620

Adjustable Ceiling Projector Bracket

Item ref: 129.581UK

User Manual

Thank you for choosing the PJM620 ceiling projector bracket. This bracket is constructed from reinforced steel for mounting a projector up to 8kg. Designed to be easily installed and supplied with all required installation hardware.

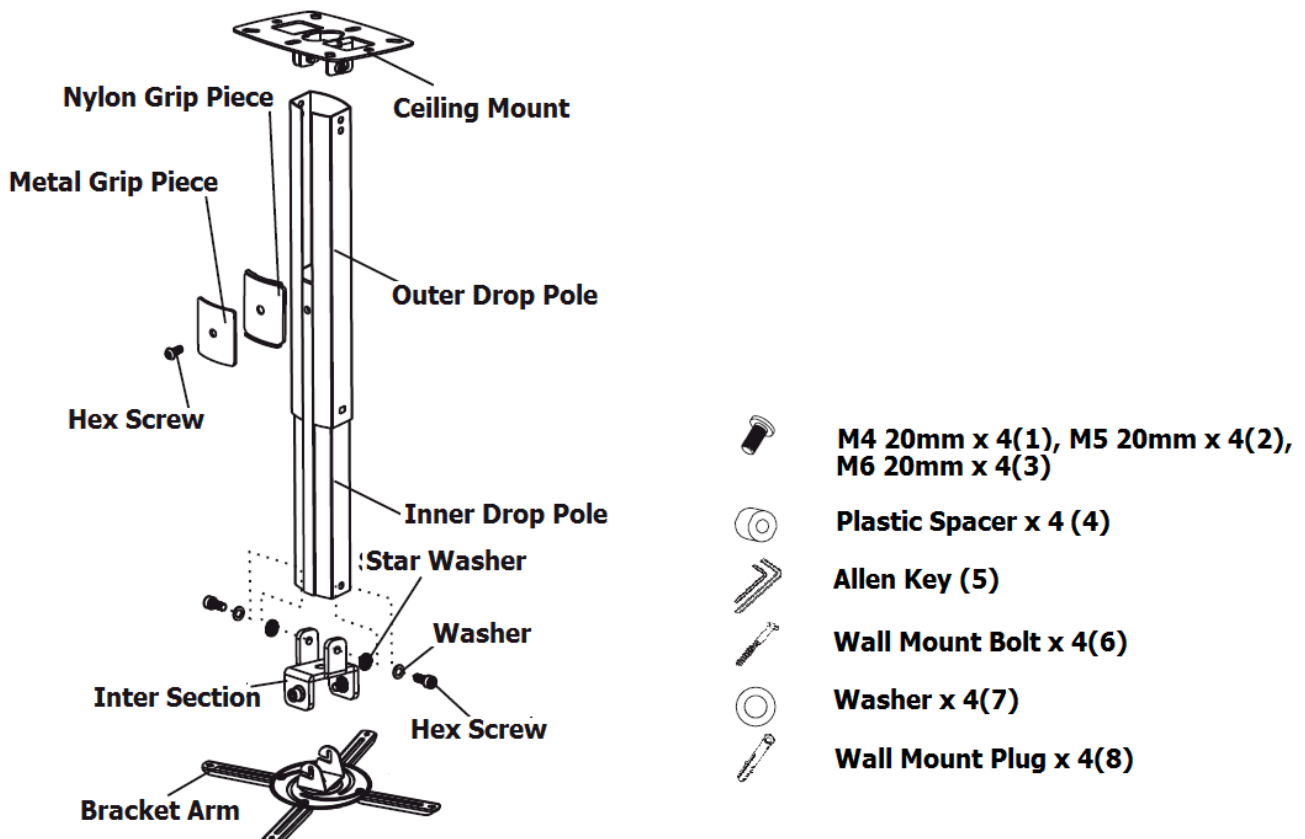
Caution:

Please read this manual thoroughly to avoid damage to property or personnel. If unsure of any part of this manual please refer to professional installer for help:

- This product contains small components that could pose a choking hazard if swallowed, please keep out of reach of children.
- This product is designed for mounting on wall studs or concrete wall. Always ensure the mounting surface will be capable of withstanding the combined weight of the TV bracket and TV, reinforcement may be required for aged or weak walls.
- Safety gear such as gloves and safety goggles must be worn during the installation. A minimum of two people are required throughout the installation, failure to do so may result in injury or damage.
- This product is design for indoor use only. The bracket must be inspected at least every two months for loose joints or aged parts.

Contents:

Please check all contents listed below are included inside the box. If anything is missing please return to the retailer or dealer.



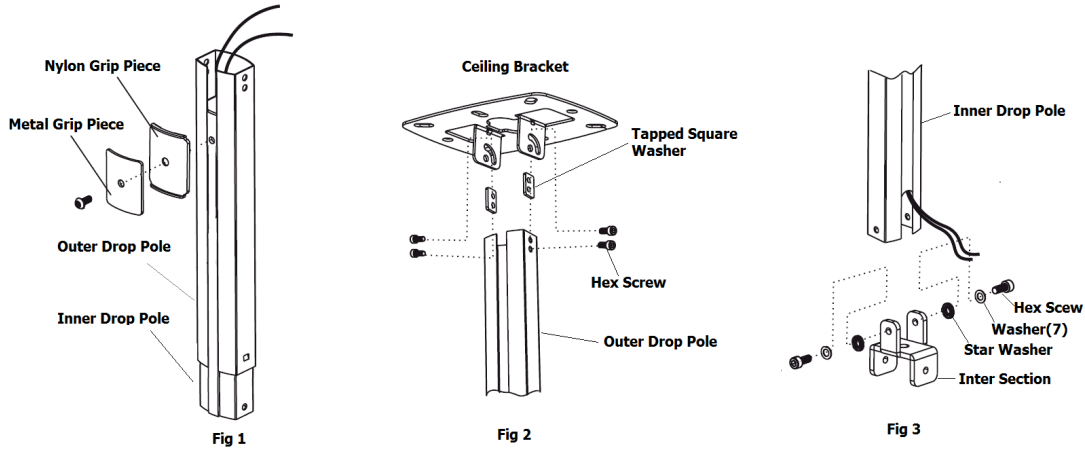
For this installation you will also require a pencil, tape measure, electric drill, stud finder and a Philips (cross) screw driver.

Step 1 – Assemble

Slide the outer drop pole over the inner drop pole and fit the nylon and metal grips as shown in the image below.

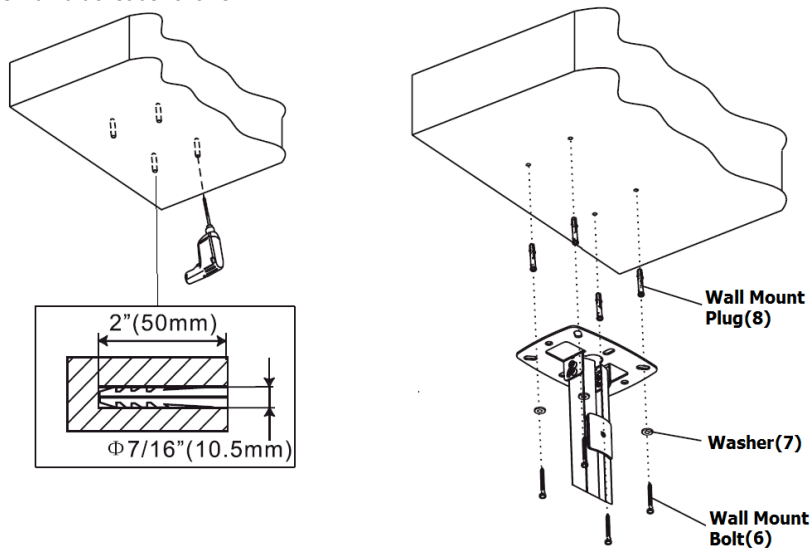
Connect the outer drop pole to the ceiling mount as shown below. The tapped square washer goes inside of the outer drop pole and screws through the slit and screw hole.

Connect the inter section to the inner drop pole as shown below. Ensure the star washer goes between the inter section and inner drop pole.

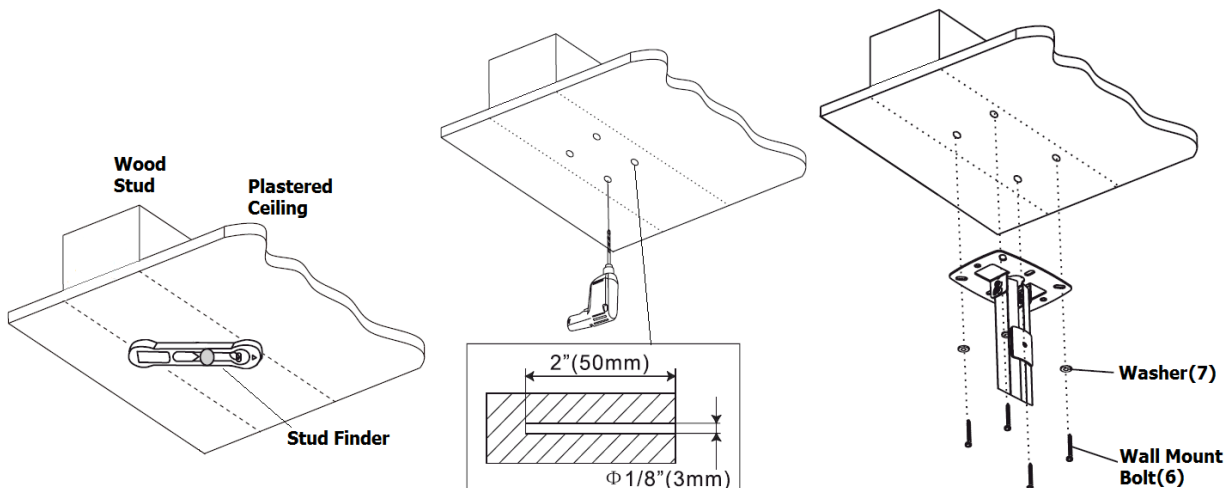


Step 2 – Fixing bracket to the ceiling

For concrete ceiling installation first work out the position of where the bracket is going to be installed. Hold the bracket against the ceiling and use a pencil to mark where the mounting holes will be. Use an electric drill to drill a hole that is around 10.5mm in diameter and 50mm deep. Insert wall plugs into the holes and install the wall bracket as follows.



For plaster ceiling installation first you need to find out where the wood stud is behind the plastered ceiling using a stud finder. Then work out the required position, hold the bracket against the ceiling and use pencil to mark where the mounting holes will be. Use an electric drill to drill a hole that is around 3mm in diameter and 50mm deep. Install the wall bracket as follows.



Step 3 – Slide the bracket arms until lined up with the projector's mounting holes. Use supplied M4, M5 or M6 screws and plastic spacers to fit the projector on to the bracket. Hook the projector mount on to the drop pole as shown below. Adjust tilt, pan and drop height until desired mounting position is achieved. Lock the position by tightening the hex screw using the provided Allen key.

