

REV

Automation for industrial sliding gates
up to 1400 kg



For collective and
industrial usage



Available in 230V and 24V



Range of irreversible or
reversible motors in an oil
bath



REV

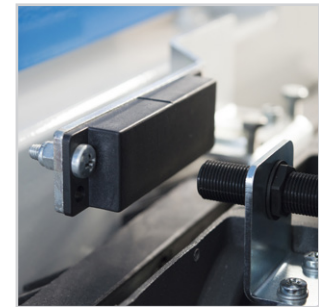


Additional fan ventilation (230V versions), with magnetic encoder

Control board positioned in a lifted position at the front. Always accessible and perfect for small or narrow spaces



Models available with magnetic limit switches



The reversible models of this operator allow the manual movement of the gate without having to unlock the motor and satisfy some safety measures typical of installations in public contexts.

The DE@NET universal control board makes this operator compatible with NETLINK System.



Compatible with NETCOM, the device for installation maintenance and remote control management!



NETCOM

Compatible with IRONBOX and IRONBOX/XS vandal-proof box for installations in challenging or industrial environments





Models

230V ~ operators with control board, limit switches and encoder



COD.	Art.					OTHER CHARACTERISTICS
616000	REV220	1400 kg*		NET230N	✓	<ul style="list-style-type: none"> • Self-locking with limit switches • Speed adjustment and slow down in opening and closing • Motor control by encoder and obstacle detection
616003	REV220/M	1400 kg*		NET230N	✓	<ul style="list-style-type: none"> • Self-locking • Magnetic limit switches • Speed adjustment and slow down in opening and closing • Motor control by encoder and obstacle detection
616001	REV220/RF	1400 kg*		NET230N	✓	<ul style="list-style-type: none"> • Not self-locking with brake in opening and closing • Limit switches • Oil bath • Speed adjustment and slow down in opening and closing • Motor control by encoder and obstacle detection
616004	REV220/ RFM	1400 kg*		NET230N	✓	<ul style="list-style-type: none"> • Not self-locking with brake in opening and closing • Magnetic limit switches • Oil bath • Speed adjustment and slow down in opening and closing • Motor control by encoder and obstacle detection

All models have (IB version excluded): control board and fixing plate to be cemented included

* If using an oversized pinion art. Z22, the maximum weight of the leaf should be reduced by 30%

24V = operators with control board and limit switches

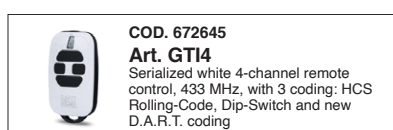
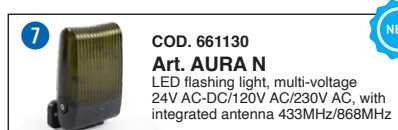
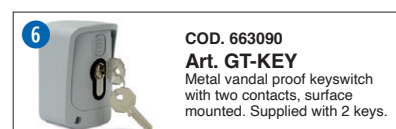
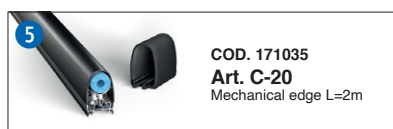
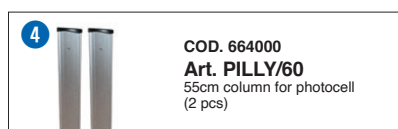
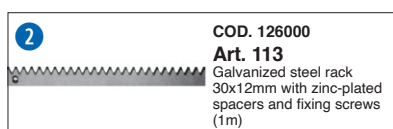
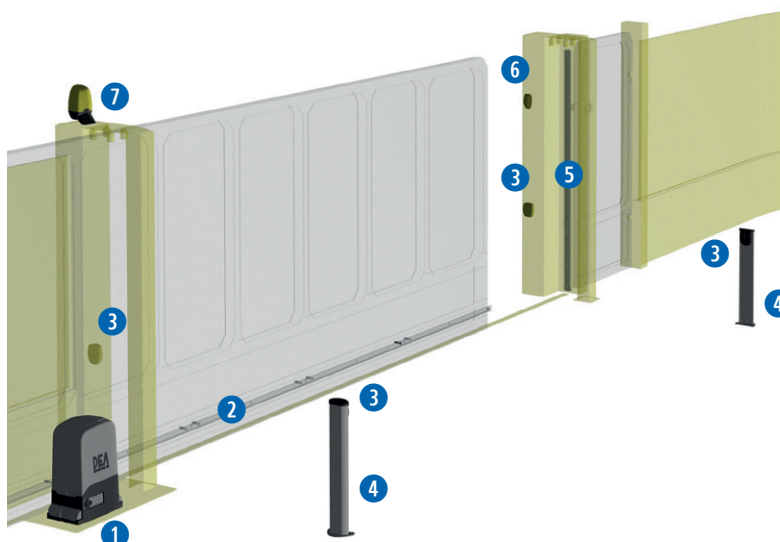


COD.	Art.				OTHER CHARACTERISTICS
616011	REV24/F	1400 kg*		NET24N	<ul style="list-style-type: none"> • Self-locking with limit switches • Speed adjustment and slow down in opening and closing
616012	REV24/M	1400 kg*		NET24N	<ul style="list-style-type: none"> • Self-locking • Magnetic limit switches • Speed adjustment and slow down in opening and closing

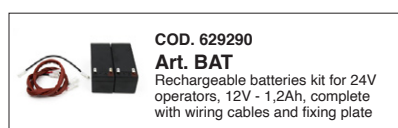
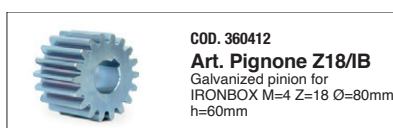
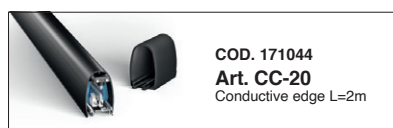
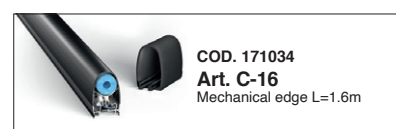
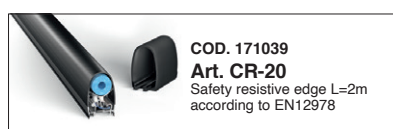
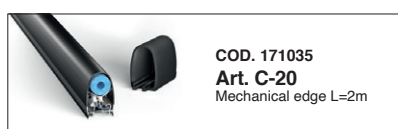
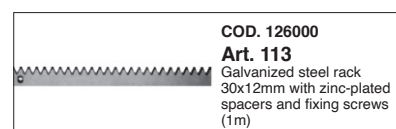
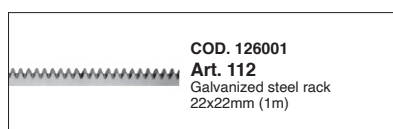
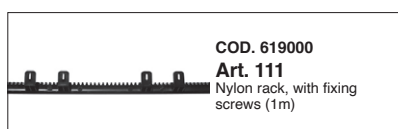
All models have (IB version excluded): control board and fixing plate to be cemented included

* If using an oversized pinion art. Z22, the maximum weight of the leaf should be reduced by 30%

Example of a typical installation



Specific accessories



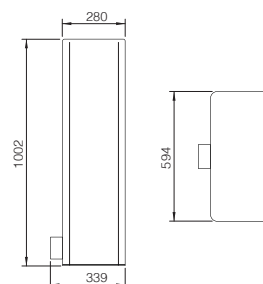
* If using an oversized pinion art. Z22, the maximum weight of the leaf should be reduced by 30%

MAG

IRONBOX

cod. 619080

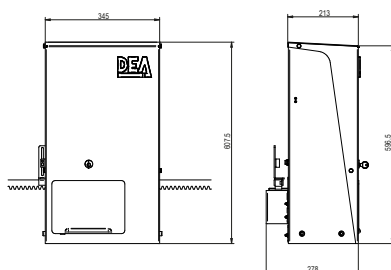
RAL 9006 painted steel vandal-proof box (Colour: RAL 9006) for REV (IB models) with magnetic limit switch (code 619070) and foundation plate.



IRONBOX/XS

cod. 619100

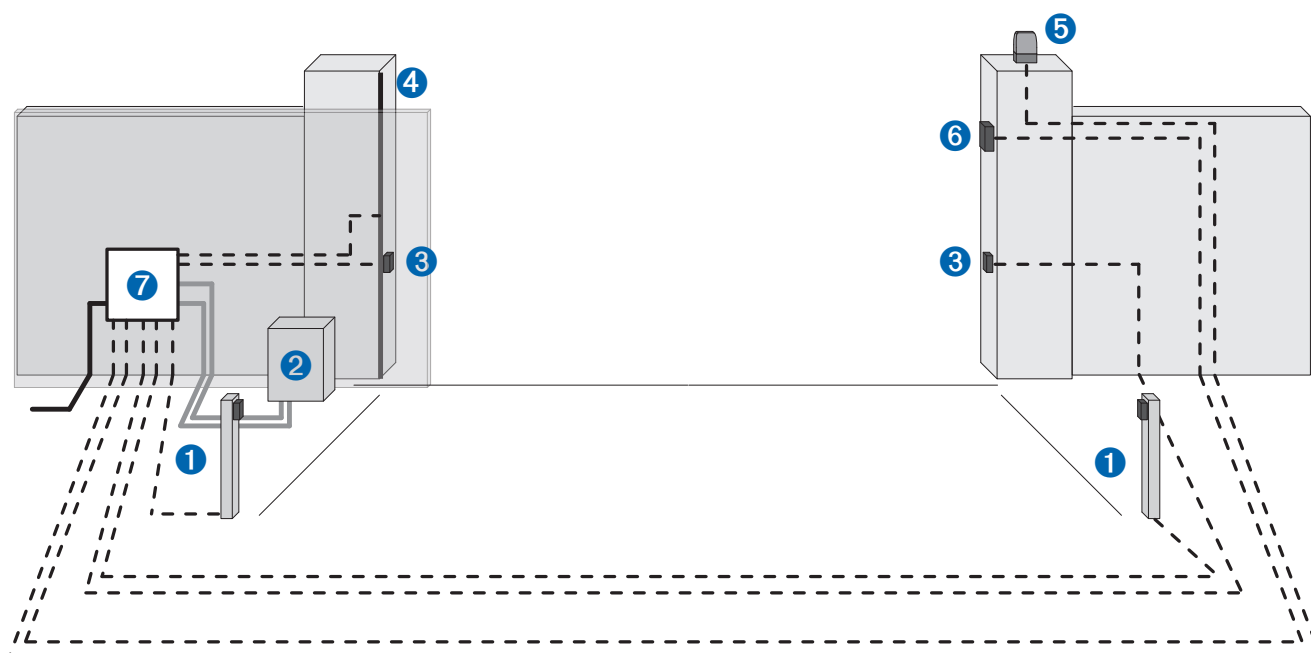
Painted steel vandal-proof box (Colour: Grey MICA P3-197 and RAL 9006) for REV (models IB) with magnetic limit switch (code 619070) and foundation plate.



Technical info

	REV220 - REV220/M REV220/IB	REV220/RF - REV220/RFM REV220/RF/IB	REV24/F - REV24/M REV24/IB
Motor power supply (V)	230V ~ ± 10 % (50/60 Hz)		24V =
Maximum power absorption (W)	500		250
Max thrust (N)	900	1200	450
Duty cycle (cycles/hours) for an 8m leaf length	27 for gates up to 1000kg 22 for gates up to 1400kg		36 for gates up to 1000kg 31 for gates up to 1400kg
N. max. cycles in 24h. for an 8m leaf length	270 for gates up to 1000kg 220 for gates up to 1400kg	300 for gates up to 1000kg 250 for gates up to 1400kg	
Built-in capacitor (µF)	14	12,5	\
Operating temperature (°C)	-20 ÷ 50		
Motor thermal protection (°C)	150		\
Speed (m/min)	10		12
Standard pinion	Z18	Z15	Z18
Weight with packing (Kg)	18		
Sound pressure (dBA)	< 70		
Protection level	IPX4 (IP44 with magnetic limit switches)		

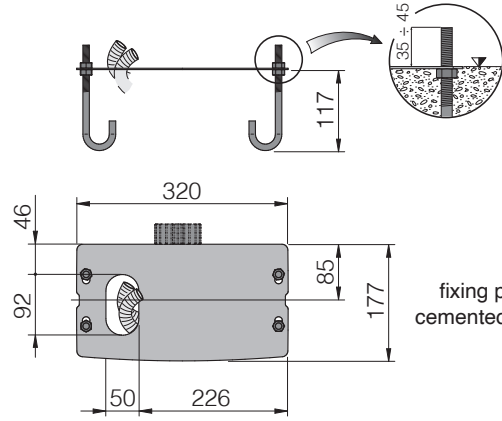
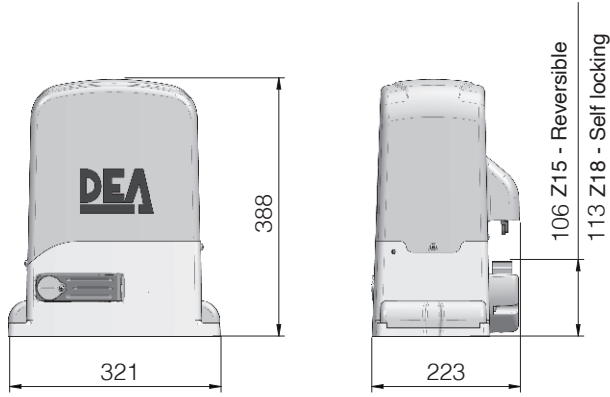
Wiring



- Corrugated pipe for power supply cable
- - - Ø40 corrugated pipe for connection between the control board and the junction box
- · · Ø20 corrugated pipe or external PVC conduit for connection between the control board and the command and safety accessories

- | pos. | description |
|------|-----------------------|
| 1 | Column with photocell |
| 2 | Operator |
| 3 | Photocells |
| 4 | Safety edge |
| 5 | Flashing light |
| 6 | Keyswitch / Digikey |
| 7 | Junction box |

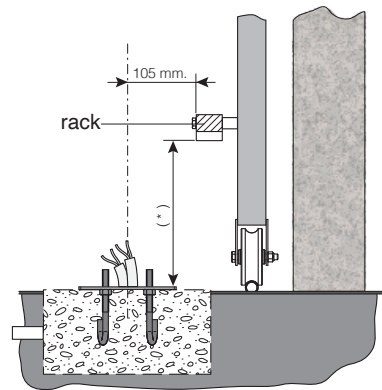
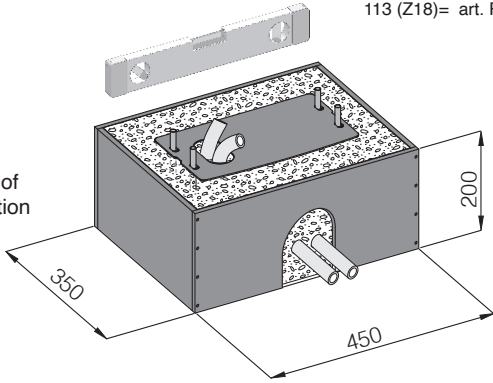
Dimensions



fixing plate to be cemented or screwed

106 (Z15)= art. REV220/RF - REV220RFM
113 (Z18)= art. REV220 - REV220/M

example of cementation



*	
Z15 - Reversible	100 mm
Z18 - Self locking	106 mm



DEAuser



DEAuser is the app for **private users** that allows activation of automation at **close proximity** via Bluetooth.

By installing the NET-NODE on all devices with NETLINK technology, users can control their automations through their smart devices.

To be used with:



Art.NET-NODE 2.0
Cod. 677642



DEAinstaller



DEAinstaller is the App dedicated to the **professional installer** and allows Installers to program and manage DEA automations on-site in a simple and intuitive way from their smart devices.

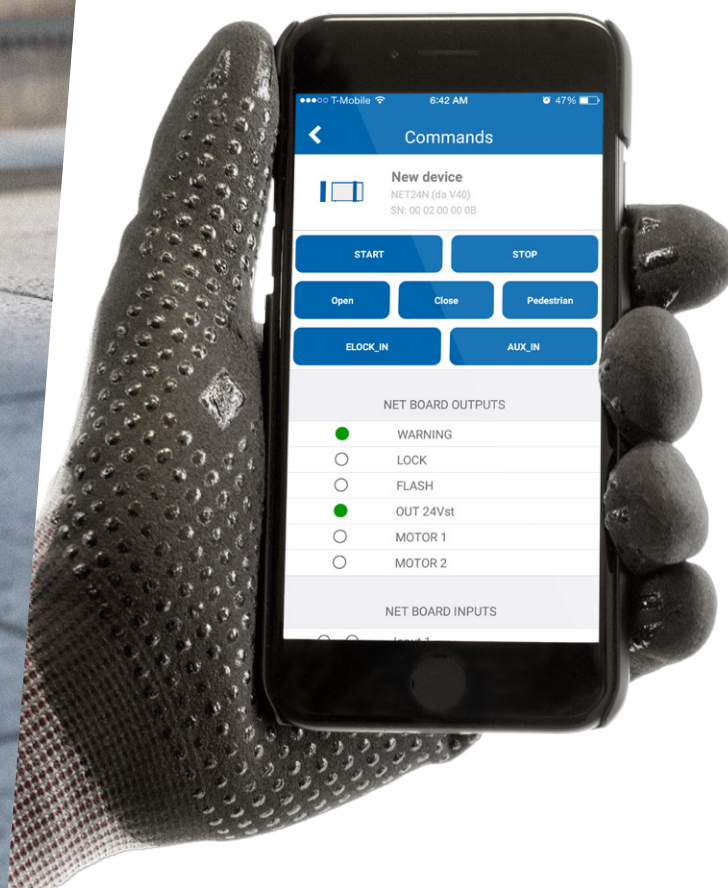
If you use it with the NET-NODE you can:

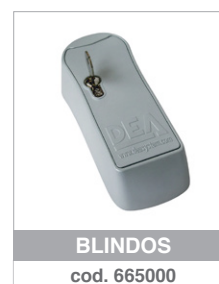
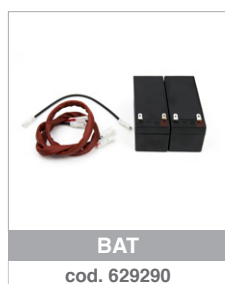
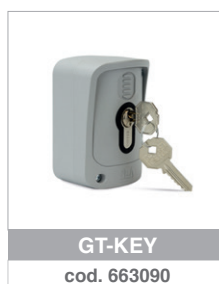
- ✓ keep a **data backup** of all installations
- ✓ easily adjust the **parameters** of control boards
- ✓ update the **firmware**
- ✓ program the **maintenance**
- ✓ manage or customise the **remotes**
- ✓ read **technical manuals** or have a look at the **electrical connections**
- ✓ control the **inputs** and **output** of the control boards
- ✓ **control** the automation with the App

To be used with:



Art.NET-NODE 2.0
Cod. 677642





#safeasyoulike!

Non-copyable remotes!

GTI remotes are multi-function. They have three coding possibilities: DIP SWITCH, Rolling Code and D.A.R.T. the new DEA advanced coding.

You can customise the code of the remotes to guarantee the maximum security to your customer.

- D.** DEA
- A.** Advanced
- R.** Rolling Code
- T.** Transmission

Looking for **total safety**?
With **NET-BOX** each installer can customise the code of your GTI remotes.



#colourasyoulike!

Choose your favorite colour!

GTI remotes can be customised with button kits in seven colours: green, light green, blue, pink, yellow, orange and purple.

- GREEN
- LIGHT GREEN
- BLUE
- PINK
- YELLOW
- ORANGE
- PURPLE



Note: button kits are supplied in packs of 5. The remote must be ordered separately.



NETLINK

is our technology applied to DEA devices for the smart management of your installations, both **locally** and **remotely**.



Our range

Automations for sliding gates



LIVI N



REV



GULLIVER



Automations for sectional doors



SPACE



ADVANCE



LIVI 902



Automations for swing gates



MAC



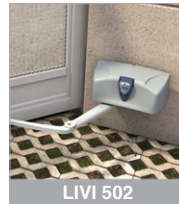
STING



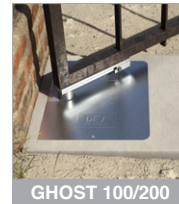
LOOK



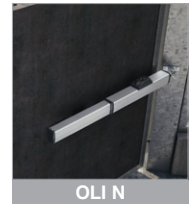
GEKO



LIVI 502



GHOST 100/200



OLI N



Automations for industrial gates



LATO



550 PL



Barriers



PASS



STOP



TRAFIK



Bollards



ROCK



HEADQUARTER
DEA SYSTEM S.p.A.
 Via della Tecnica, 6 - 36013 Piovene Rocchette (VI) - ITALY
 ☎ + 39.0445.55.07.89 - 📠 + 39.0445.55.02.65
 info@deasystem.com - www.deasystem.com

Branches > Italia, France, United Kingdom, Ireland, España,
 Portugal, Polska, Deutschland, Беларусь

> HEAD OFFICE
DEA GATE AUTOMATION Ltd.
 Sandholes Road - Cookstown - Co. Tyrone
 BT80 9AR - IRELAND
 ☎ + 44 (0)28 8676 6476 - 📠 + 44 (0)28 8676 2414
 info@deagateautomation.com

DEA GATE AUTOMATION Ltd.
 Unit 31 - The IO Centre - Hearle Way - Hatfield - Hertfordshire
 AL10 9EW - UNITED KINGDOM
 ☎ + 44 (0)17.07.24.65.99
 info@deagateautomation.co.uk