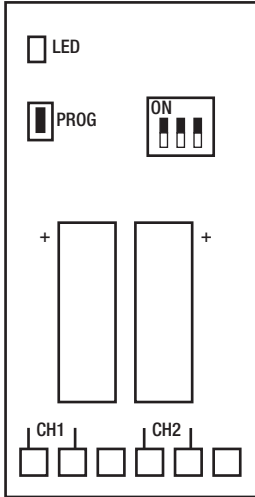


# WIRELESS BAND INSTRUCTIONS

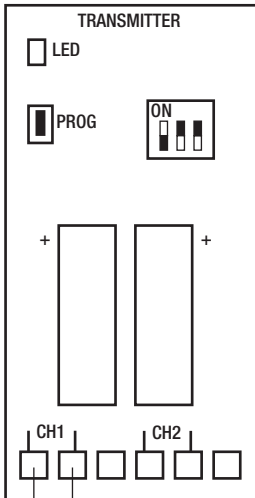
**IMPORTANT** - Before programming ensure that all transmitters are set to resistive mode by following the procedure below.



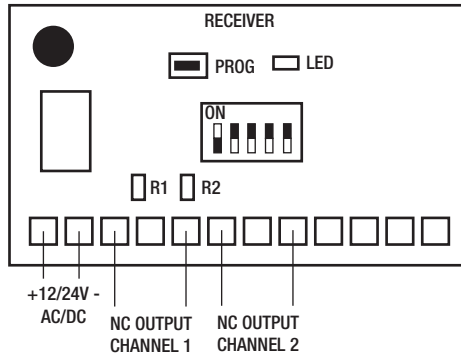
- Insert 1 battery into battery holder, LED should flash twice to show 'Optical Mode'
- Press and hold programming button until LED flashes 4 times for 'Resistive Mode'
- Remove and replace both batteries, LED should flash 4-5 times to confirm that the transmitter is functioning in 'Resistive Mode'

IF, WHEN YOU INSERT THE BATTERIES FOR THE FIRST TIME, THE LED FLASHES 4 TIMES, THE TRANSMITTER IS ALREADY ON THE CORRECT MODE AND YOU DO NOT NEED TO COMPLETE THE PROCEDURE ABOVE.

## TRANSMITTER PAIRING



8k2 Resistive Edge



FOR A STANDARD SETUP, ONLY DIP SWITCH 1 SHOULD BE ON, ON THE RECEIVER

- Turn dip switch 1 and/or 2 on, on the transmitter for the channel that the edge(s) are wired in to, if there are no edges wired into a channel then insert a link and turn that dip switch off.
- Press and hold the programming button on the receiver until you get a series of 'beeps' and then let go. Wait until the receiver makes a further 2 'beeps'.
- Press and hold the programming button on the receiver until you get a single 'beep' and let go, press the programming button on the transmitter once, the receiver should make a single 'beep' and then a subsequent double 'beep' after approximately 10 seconds.
- Program 1 transmitter at a time so that you can ensure each unit programs in correctly and there are no issues with your edges.