

## FL50S-825BL1

## NEOMOUNTS SELECT FLOOR STAND

### SPECIFICATIONS

#### GENERAL

|                   |                                                                                                                                                                                                                                                                                      |
|-------------------|--------------------------------------------------------------------------------------------------------------------------------------------------------------------------------------------------------------------------------------------------------------------------------------|
| Min. screen size* | 37 inch                                                                                                                                                                                                                                                                              |
| Max. screen size* | 75 inch                                                                                                                                                                                                                                                                              |
| Min. weight       | 0 kg (per screen)                                                                                                                                                                                                                                                                    |
| Max. weight       | 70 kg (per screen)                                                                                                                                                                                                                                                                   |
| Screens           | 1                                                                                                                                                                                                                                                                                    |
| VESA pattern      | 100x100 mm<br>100x150 mm<br>100x200 mm<br>120x120 mm<br>200x100 mm<br>200x200 mm<br>200x300 mm<br>200x400 mm<br>300x100 mm<br>300x200 mm<br>300x300 mm<br>350x350 mm<br>400x200 mm<br>400x300 mm<br>400x400 mm<br>440x400 mm<br>500x400 mm<br>600x200 mm<br>600x300 mm<br>600x400 mm |
| VESA minimum      | 100x100 mm                                                                                                                                                                                                                                                                           |
| VESA maximum      | 600x400 mm                                                                                                                                                                                                                                                                           |

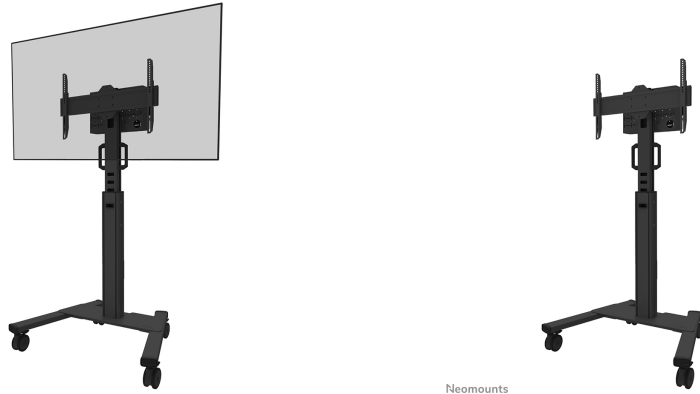
#### FUNCTIONALITY

|                   |                |
|-------------------|----------------|
| Type              | Fixed          |
| Height adjustment | 114,5-153,5 cm |
| Tilt (degrees)    | +0°, -5°       |
| Height            | 175 cm         |
| Width             | 90,3 cm        |
| Depth             | 70,2 cm        |
| Adjustment type   | Manual         |

#### INFORMATION

|               |               |
|---------------|---------------|
| Color         | Black         |
| Main material | Steel         |
| Warranty      | 5 year        |
| EAN code      | 8717371449650 |

\*Please note: The inch sizes stated are just an indication, combined with the weight and VESA sizes. The maximum weight and VESA size are absolute restrictions for the products and should not be exceeded.



### Neomounts Select FL50S-825BL1 mobile floor stand for 37-75" screens - Black

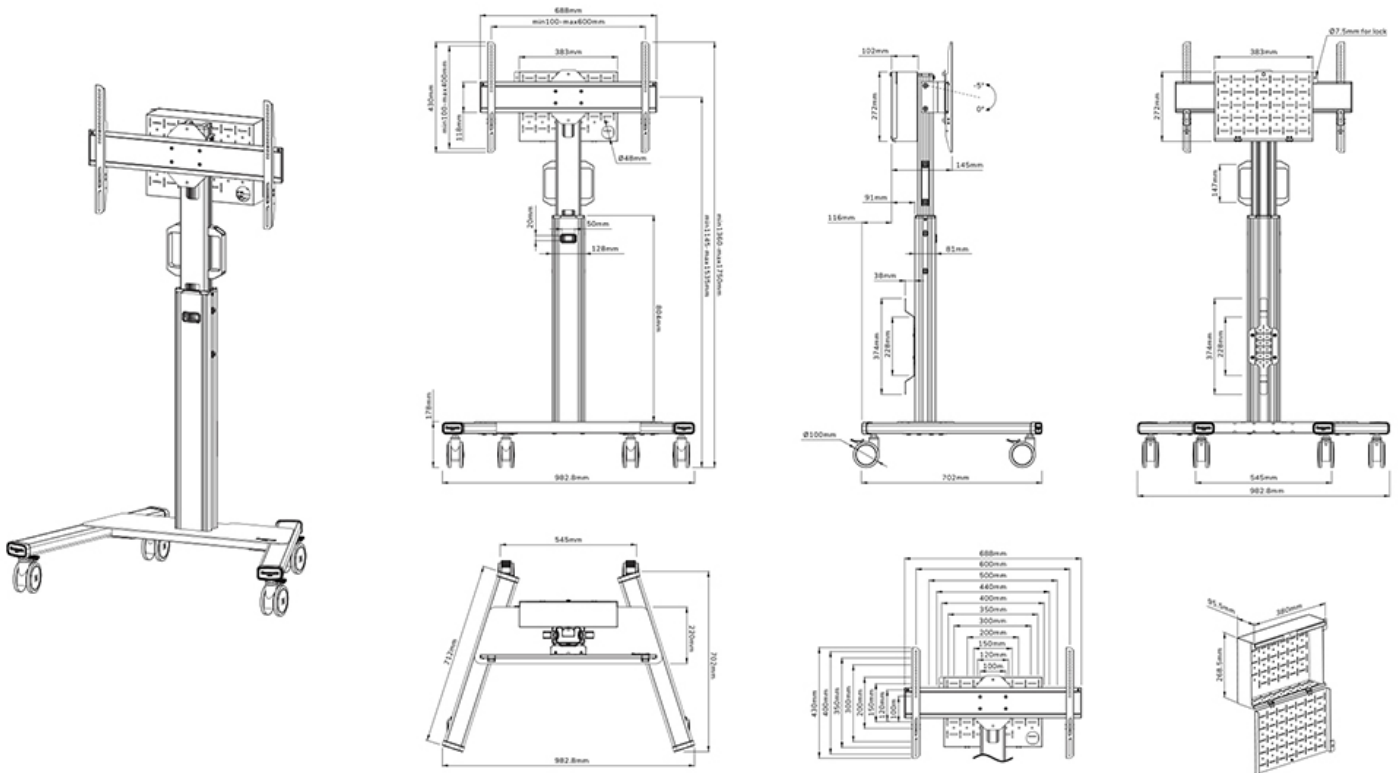
The Neomounts Select FL50S-825BL1 is a mobile floor stand for flat screens up to 75" with a maximum weight capacity of 70 kg. The floor stand is manually adjustable in height (114,5-153,5 cm), as well as the bracket head. A lockable, ventilated hardware compartment with cable opening is included and optional for installation (both portrait and landscape).

The trolley features practical handles and four solid 10 cm double locking caster wheels that allow you to move and use the floor stand wherever you like. Due to the large caster wheels, thresholds or carpets are no challenge to the FL50S-825BL1. The clever internal cable management system has various in and out outlets for flexible use (above, in the middle where the media player is placed and at the bottom of the trolley) and conceals and routes cables from floor stand to screen. The floor stand has a practical cable management bracket at the back, for easy and safe relocation. Additionally, at the bottom of the trolley a space with tie wrap holes is available to install a power strip. The FL50S-825WH1 is compactly packed for optimized transportation and storage.

The AFLS-825BL1 videobar & multimedia kit is optionally available and enables the installation of a separate cam shelf and multimedia device shelf to the trolley. Included to the kit is an adapter for the Logitech Rally Bar (Mini). In addition, the multimedia shelf is suitable for installation of i.a. the Logitech Tap.

## FL50S-825BL1

## NEOMOUNTS SELECT FLOOR STAND



Neomounts