



hydrosense

**THE NEW STANDARD IN
WATER LEAK DETECTION**

hydrosense

DELIVERING THE NEW STANDARD IN WATER LEAK DETECTION

Hydrosense is the solution to one of the greatest threats to business continuity: water damage. These sophisticated, configurable and easily accessible systems have set the new standard for water leak detection.

Hydrosense applies the integrity, control and reliability of life safety and building infrastructure systems to water leakage detection.

VIMPEX – THE MAKERS OF HYDROSENSE

Established in 1994, VimpeX is the UK's leading independent manufacturer and distributor of Fire Detection, Alarm and Evacuation products and accessories. We produce and distribute a range of high quality Evacuation, Signalling and Building Infrastructure System products, both VimpeX manufactured and supplied by our manufacturing partners.

From our very own range of products including Identifire, Fire-Cryer and Hydrosense to our trusted partner products – we're committed to providing excellent technical support and customer service, as well as fast and effective delivery.

The majority of our products are customisable and at VimpeX we are pleased to offer hassle-free branding, own-labelling and OEM services so you can make our products your own.

VIMPEX BRANDS



hydrosense

FIRE  CRYER®

IDENTIFIRE 

Ani  Mate®

WHAT IS HYDROSENSE?

We rely on constant connectivity in our daily lives and the technology that makes this possible such as high-speed network connections, servers and software. This dependence has heightened the need for regular assessment of possible water damage and the introduction of detection equipment, in order to support business continuity and protect valuable assets and archives.

That is where Hydrosense comes in. Our innovative system leads the way in water leak detection and has been designed to continuously monitor and identify leaks, sharing the approach and technology of products designed to protect both lives and building infrastructure.

RELIABILITY

The only way to guard against water damage is through continuous monitoring. Hydrosense systems are active around the clock, constantly checking for leaks and maintaining system integrity. A 72-hour battery standby ensures that systems remain functional in cases of power outages.

INTEGRITY

Hydrosense control panels are based on approved life safety systems. They therefore offer unrivalled reliability and integrity, with full system monitoring and very little risk of false alarm.

CONTROL

Should any leak be detected, the user-friendly control panel can signal to a Building Management System (BMS) or activate mechanical control devices such as water shut-off valves, ensuring all risks are recognised and handled efficiently.



**MADE IN
THE UK**

Designed and manufactured in the UK, Hydrosense is built to exceptionally high standards and its innovative technology means it responds to the needs and concerns of our customers.



VIMPEX

At VimpeX, we understand the importance that individuals and businesses place on staying connected and the consequences water damage can have on the devices that make this possible. Even seemingly minor water leaks can result in extensive costs and disruption, not just in repairing and replacing equipment and valuable assets or archives, but time lost to temporary relocations and business interruption.

Hydrosense systems offer the urgency, reliability and integrity of products built to minimise fire damage and save lives. That expertise reassures building managers and business owners that their assets are always protected.

APPLICATIONS

Hydrosense is used to protect a diverse group of building types with a variety of different uses.



DATA CENTRES

Data Centres house servers for hundreds of businesses in one room, containing essential information for their continued operation. Damage caused by unidentified water leaks could have devastating consequences.



REMOTE SITES

Many sites that handle communications, utilities infrastructure and data distribution are in remote locations, resulting in long delays before engineers can reach the site. Our Short Message Communicator means Hydrosense can quickly signal water leaks to engineers via GPRS networks.



UNDERGROUND NETWORKS

Water damage to exposed network cables in tunnels could disrupt the function of buildings and wider infrastructure. Hydrosense's comprehensive coverage keeps all areas continuously monitored.



LIBRARIES/ARCHIVES

Containing priceless texts and legally protected documents, libraries and archives can be greatly impacted by water damage. Water detection systems provide broad coverage of areas prone to leaks, protecting priceless archives and valuable treasures.



BATHROOM FLOODING

Bathroom flooding is an ever-increasing problem, particularly due to trends towards multi-occupancy and high-density apartment buildings. Fitting Hydrosense Probes in key locations will give early warning of flooding.



DOMESTIC/COMMERCIAL PROPERTY

From apartment buildings to office complexes, even small water leaks have the potential to create tremendous damage if undetected. Hydrosense zoning covers multiple rooms and floors, meaning any leaks are detected before they can spread to other areas.



BENEFITS

All Hydrosense systems offer robust, reliable detection of water leaks in an area, protecting against damage to important assets. This dependable monitoring rewards users, as they avoid the financial repercussions water damage can cause.

This is not limited to savings on the repair or replacement of physical assets, IT and electronic equipment and the fabric of the building itself. It also prevents unwelcome costs such as temporary relocation, increased employment costs and significant business interruption. Implementing water leak detection may also result in savings on the cost of commercial insurance.

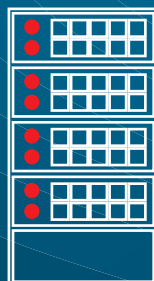
DOWNTIME FOR A BUSINESS
COSTS A TRADER APPROXIMATELY

£4.5M PER HOUR

£780M

IS PAID OUT ANNUALLY
BY INSURERS FOR INSTANCES
OF WATER DAMAGE

DATA CENTRE OUTAGES COST
£12K PER MINUTE
ON AVERAGE



A DATA CENTRE OUTAGE IN
SEPTEMBER 2016 COST AN
AIRLINE **\$150M** IN JUST 3 DAYS

PLUG & PLAY

Both **Hydrosense HS** and **Hydrosense ID** systems are plug and play, which means very easy installation, rapid configuration and minimal field wiring terminations.

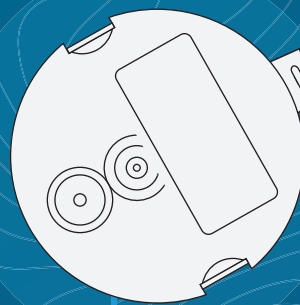
EASY TO INSTALL

Hydrosense is an installer's dream, with different systems available with simple, user-friendly system designs, regardless of size or complexity of the building.

Hydrosense HS is more appropriate for simpler layouts, while **Hydrosense ID** is scalable for larger, more complex sites.

HOW DOES IT WORK?

Hydrosense is specially designed for immediate identification of water leaks that could be harmful to a building and the assets within. Two forms of detection are available - floor or A/C drip tray mounted Probes and Hydrowire sensing cable.



PROBE

Probes provide effective point detection on solid floors. These can be height-adjusted with our Probe accessory and can also be adapted for use on A/C drip trays.

HYDROWIRE

Supplied in 5 and 10 metre sections, Hydrowire can be plugged together to form detection zones of up to 50 metres in length. This very responsive sensing cable is designed to be fixed under false floors, in ceiling voids and other enclosed spaces.

THE SYSTEM

Users have the choice between **Hydrosense HS (Conventional)** and **Hydrosense ID (Addressable)**.

Both systems support Hydrowire and Probes and employ the same reliable, high-integrity technology to sense water leaks.

**HYDROSENSE HS
(CONVENTIONAL)
CONTROL PANEL**



**HYDROSENSE HS
(CONVENTIONAL)
INTERFACE/CONNECTION BOX**



**HYDROSENSE ID
(ADDRESSABLE)
MODULE**



**HYDROSENSE ID
(ADDRESSABLE)
CONTROL PANEL**

HYDROSENSE HS (CONVENTIONAL)

Hydrosense HS (Conventional) is a straightforward and quickly configured control system ideal for smaller, less complex installations.

2, 4 OR 8 DETECTION ZONES

SIMPLE TO CONFIGURE FOR SMALLER INSTALLATIONS

- 2, 4 or 8 zone panels available
- HS ancillary boards can give dedicated monitoring and alarm outputs per zone
- HS Connection Interface (HS-HWCI) allows up to 50 metres of Hydrowire to be used per zone
- HS Junction Box (HS-WLJB) allows one Probe – up to 20 of these can be used per zone
- Standby 72-hour battery backup as standard

Hydrosense HS panels come with 2, 4 or 8 zones. Each detection zone can be made up of one length of Hydrowire (up to 50m) or a series of Probes.

HYDROSENSE ID (ADDRESSABLE)

Hydrosense ID (Addressable) is designed for larger, more complex installations, allowing the user to address each module with location-specific information.

SUPPORTS UP TO 508 PROBES AND 25,400M OF HYDROWIRE

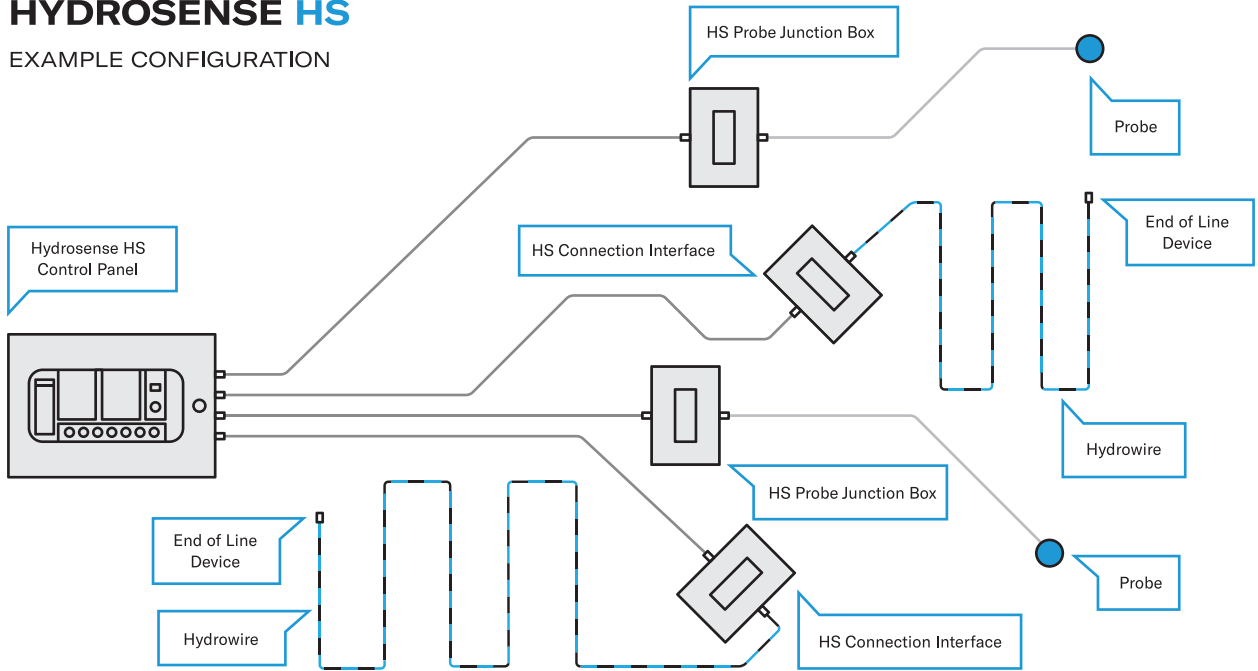
CHOOSE BETWEEN 1 AND 2 ZONE SYSTEMS

- System configuration software allows users to develop bespoke cause and effect applications specific to their site
- Both Single Loop and Dual Loop control panels available
- Short Circuit Isolators in all modules ensure complete system integrity and constant monitoring
- Standby 72-hour battery backup as standard

A Single Loop **Hydrosense ID** control panel can support up to 12,700 metres of Hydrowire and 254 Probes, while a Dual Loop system doubles these values. Each ID Module contains dual outputs, meaning that a combination of Hydrowire and Probes can be used on the same module.

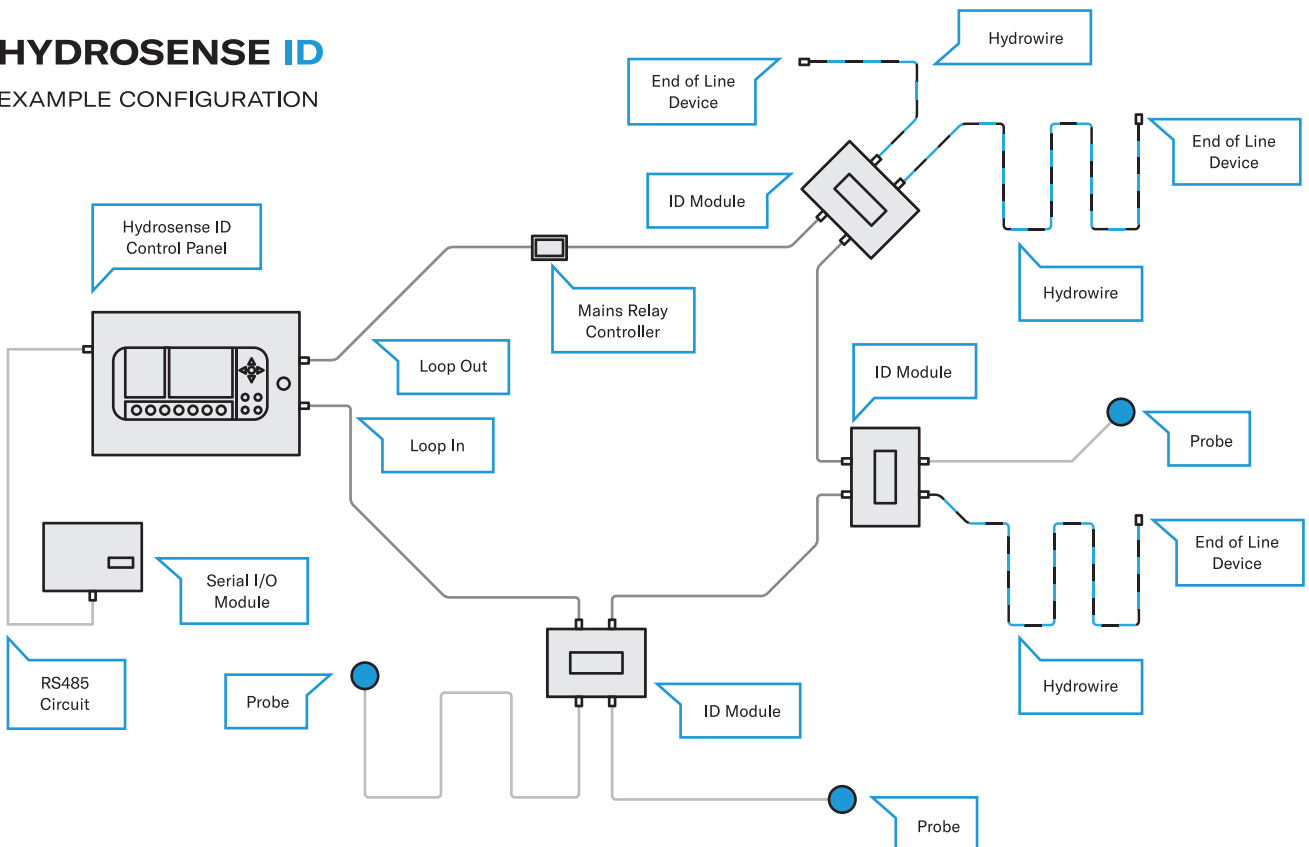
HYDROSENSE HS

EXAMPLE CONFIGURATION



HYDROSENSE ID

EXAMPLE CONFIGURATION



ACCESSORIES

Hydrosense helps protect a wide range of diverse building environments against the damaging effects of water damage.

These accessories extend the functionality of the system beyond detection to control and switching of third-party products. Other options protect cables and Probes from damage and contribute to increasing the effectiveness of Hydrosense systems.

MAINS RELAY CONTROLLER

HYDROSENSE ID

Addressable Interface allowing for 110 / 230 V 5 Amp switching of solenoids and other electro-mechanical devices.

- Controllable via Hydrosense system protocol
- Provides several monitored inputs/outputs
- Loop Powered



SERIAL I/O MODULE

HYDROSENSE ID

All I/O modules interfaced via panel RS485.

- 16 channel input/output
- 8 way relay
- 4 way conventional zone
- 6 way sounder, 2 relay outputs, 2 inputs
- Enclosure for the ID-SIO-xx Modules
- All modules can be configured to include PSUs



REMOTE INDICATOR

HYDROSENSE ID

Loop-driven visual indication of a water leak.

- Interfaced with the addressable loop



REMOTE INDICATOR

HYDROSENSE HS

Visual indication of water alarm status, wired to conventional interfaces.

- Provides bright blue LED on activation
- Can be flush or surface mounted



SECURE MAINS ISOLATOR SWITCH

FOR CONTROL PANELS, WHITE

HYDROSENSE ID & HS

All critical Building Infrastructure Control Panels should be isolated by a dedicated key-operated switch.

- Avoids accidental deactivation of panel
- Best-practice installation calls for engineer key for panel isolation



HEIGHT ADJUSTER

FOR HYDROSENSE PROBE

HYDROSENSE ID & HS

This height adjustment kit allows Probes to be mounted up to 20mm from the floor in areas where small amounts of water are present. (Probe sold separately)

- Avoids false alarms caused by cleaning activities and other allowable water presence
- Graduated height adjustment in 2mm steps



FIXING CLIPS

HYDROWIRE AND PROBE CABLE

HYDROSENSE ID & HS



These recommended clips are suitable for both Hydrowire and Probe cable, ensuring necessary flat to the floor installation.

- Use every 500mm for optimum detection
- Suitable for both Probe and Hydrowire cable
- Screw or adhesive fix
- Pack of 100

DRIP TRAY MOUNTING KIT

FOR HYDROSENSE PROBE

HYDROSENSE ID & HS



Commonly used accessory for easy mounting onto the edge of Air Conditioning unit drip trays. (Probe sold separately)

- Allows Probes to monitor for drip tray overflow
- Probe can be height-adjusted to suit application

PROTECTION CAGE

FOR HYDROSENSE PROBE

HYDROSENSE ID & HS



Useful accessory to avoid Probes being accidentally dislodged or moved. (Probe sold separately)

- Very robust protection for Hydrosense Probes
- 'Stand-offs' allow for water to flow to Probe sensors

ZONE BREAKER/EXTENSION LEAD

1M, 3M OR 10M LENGTH

HYDROSENSE ID & HS



Robust cable lengths with Hydrosense plug and socket arrangement.

- Can 'bridge' lengths of Hydrowire
- Used for Extending Probes from Loop/Conventional Interfaces

'HYDRO-CRYER' VOICE SOUNDER

HYDROSENSE ID & HS



This Voice Enhanced Sounder delivers a pre-recorded message alert tailored to the Hydrosense system.

- 'Water Leak Detected' Alarm Sounder activated via control panel
- Available in multiple languages and message configurations

SHORT MESSAGE COMMUNICATOR

HYDROSENSE ID & HS



This Short Message Communicator uses GPRS technology, allowing two-way communication and control.

- Uses SIM card for communication of water leak and other panel events
- Ideal for remote installations
- 'Unlocked' - suitable for any GSM network

SOUNDER/BEACON

WHITE SOUNDER, BLUE BEACON

HYDROSENSE ID & HS



Smart audible/visual indicator providing clear indication of water leak.

- Activated by control panel
- Can be both flush or surface mounted

GENESIS, SEALED LEAD ACID, TAB TERMINAL

HYDROSENSE ID & HS



The Genesis NP battery range leads the way in battery quality and reliability.

- Battery back up of panels provides water leak detection during mains power failure
- 2 x 7.2 Ah recommended for ultimate standby and backup

INTEGRATION

Both Hydrosense **ID** & **HS** Systems can be interfaced with other building infrastructure systems via our protocols and I/O modules, giving monitored volt-free contacts.

INPUTS & OUTPUTS

Examples of the two-way interface between other building systems:



FLOW VALVES

Hydrosense can accept digital inputs to allow for early indication of issues before a full leak alarm event.



COOLING/REFRIGERATION SYSTEM FAILURE

Refrigeration systems with a digital fault output can provide early indication of potential water leaks through system failure.



FLOAT SWITCH

Water and fuel storage tanks often incorporate float switches or other level measurement devices. Outputs from these can provide a pre-alarm function via Hydrosense **ID** systems which would provide early indication of a leak.



SOLENOIDS

Hydrosense components can be configured in a fail-safe manner to control or activate many types of third-party electromechanical units, such as solenoid valves to shut down water supply when a leak is detected.



VOLT-FREE RELAYS

Part of the Hydrosense accessories package is our Alarm Relay Unit. This product – able to be both flush and surface mounted – can be used to provide a volt-free contact to other systems and devices.

HYDROSENSE DEMONSTRATION UNITS

FOR WATER LEAK DETECTION PRESENTATIONS

Each case contains the following Hydrosense components to allow for an effective and engaging demonstration of Hydrosense's operation and the system's capabilities:

- Fully functioning Hydrosense Panel (ID or HS dependent on customer choice)
- Probe
- Length of Hydrowire
- Hydro-Cryer Voice Alarm Sounder 'Water Leakage Alarm Activated, Immediate Attention Required'
- Hydrosense Interface Modules
- Height Adjustment Bracket
- A/C System Drip Tray Mounting Bracket



These professional and robust demonstration units are available for both Addressable (ID) and Conventional (HS) systems. Useful for both internal and external presentations. Supplied in sturdy cases suitable for transport and travel.



Hydrosense can contribute to lowering insurance premiums. It can also form part of business continuity and disaster management planning.

VIMPEX

DS/HYD-BRO/ISS3

We reserve the right to change or amend any design or specification in line with our policy of continuing development and improvement.

Vimpex LTD
Star Lane
Great Wakering
Essex SS3 0PJ, UK

t. +44 (0) 1702 216999
f. +44 (0) 1702 216699
e. sales@vimpex.co.uk
www.vimpex.co.uk

