

HOCHIKI ADDRESSABLE POWERED SINGLE INPUT MODULE INSTALLATION INSTRUCTIONS



Product Covered: CHQ-SIM

Introduction

The CHQ-SIM has been designed to allow a single monitored input to be connected to the ESP loop. This provides a compact, low-cost option where the installation of the larger CHQ 'Smart-Fix' Range of Modules would be difficult.

Fixing & Wiring

The CHQ-SIM features two colour-coded flying leads, which must be wired as per the product label and as shown below in Fig 1. The unit also features a wiring terminal block for loop connection:

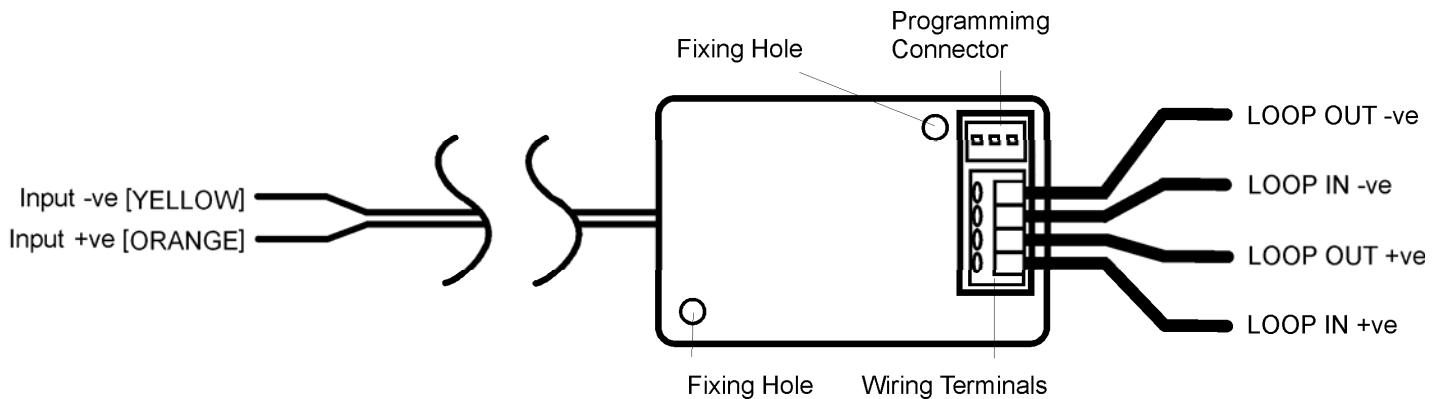


Fig 1 CHQ-SIM Wiring

The unit can be fixed to most fixing surfaces with two screws (not supplied) by utilising the two fixing holes (see Fig 1).

End Of Line Devices

The following End Of Line (EOL) devices are supplied with the CHQ-SIM and, if the device inputs are being utilised, should be fitted as follows:

Fit a 10KΩ resistor to the input at the furthest end of the cable from the device.

Fit a 470Ω input activation resistor to the input cable.

Programming

The CHQ-SIM is addressable and features a programming connector to facilitate this. Connect a Hochiki TCH-B100 Hand Held Programmer to the CHQ-SIM using a PL-3 Programming Lead. Refer to the TCH-B100 Instructions for further details on programming addresses. The programmed address can be written on the device label.

Please note that if the PCB is removed from the protective outer casing the EN54 approval is voided.

	CHQ-SIM	0832-CPD-1116	09	EN54-18:2005
--	---------	---------------	----	--------------

