

TWIN dSCR / UNIVERSAL OPTICAL CONVERTER

Ref. 237201 OMS12T

Important installation conditions:

- Before handling or connecting the equipment, please read this manual.
- Before powering ON the equipment for the first time, please ensure that all cables are correctly connected.
- When the unit is install for the first time, please wait about 10 seconds before check levels and quality. The unit may take some seconds to calibrate.
- If there are any changes made to the passive optical network, all the optical converters units connected should be power cycled.
- Please allow air circulation around the equip-ment.
- Do not place the equipment near sources of heat or in excessively moisture conditions.
- Do not place the equipment where it may be affected by strong vibrations or knocks.
- Green LED:
 - The LED will flash if no RF Power is detected or if there is no optical power.
 - The LED will be constantly lit if RF power is detected.

How to use the equipment safely:

- If any liquid or object falls inside the equipment, please contact a specialized technician.
- Do not connect the equipment until all the other connections have been made.

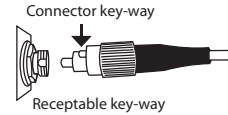
Precautionary measures with the connection point:

- Take special care to avoid damaging the unprotected ends of the connectors, as small scratches, impurities and/or particles of dirt, oil, grease, sweat etc. may significantly affect the quality of the signal.
- To clean the ends of the connectors, wipe with an appropriate cleaning wipe moistened with isopropyl alcohol, specific for the cleaning of optical elements. Make sure the alcohol evaporates fully before connecting.
- Keep the connector covers and cable caps in a safe place in case they are needed in the future.
- Always fit the covers on the connectors of devices that are not connected to cables to prevent the laser

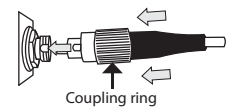
beam from damaging the eyes.

Instructions for the optical connection:

- 1 Align the FC/PC connector Key-Way (Type R) with the receptable Key-Way.



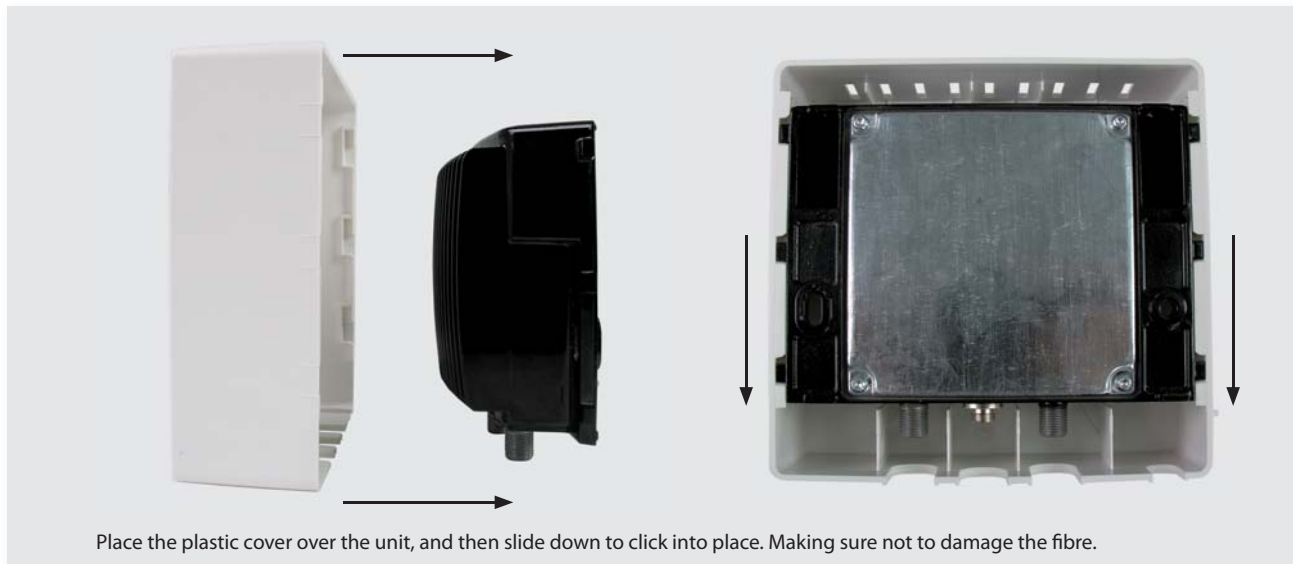
- 2 Push firmly to locate the key-ways, and then rotate the coupling ring.



Elements description



Mounting instructions

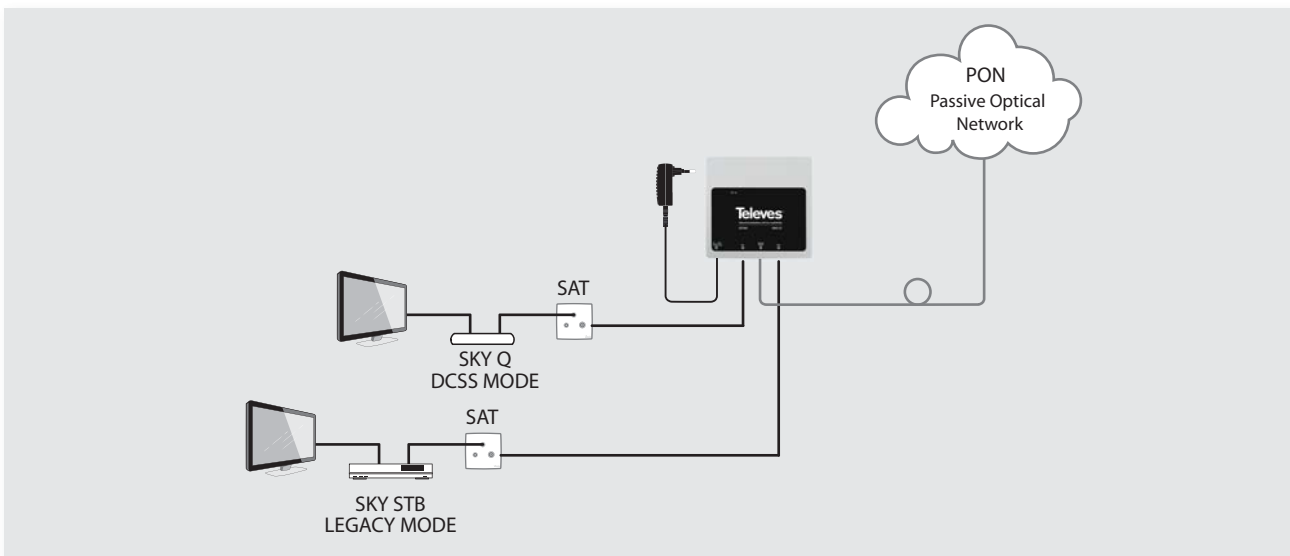


237201 = OMS12T					
RF Output					
Satellite					
Horizontal High Band	MHz	1100 - 2150 \geq 15.5V + 22KHz			
Vertical High Band	MHz	1100 - 2150 \leq 14.5V + 22KHz			
Horizontal Low Band	MHz	950 - 1950 \geq 15.5V			
Vertical Low Band	MHz	950 - 1950 \leq 14.5V			
Return Loss	dB	\geq 10			
Nominal Impedance	Ω	75			
Gain Variation Across Band	dB	\leq 7			
Terrestrial Rejection	dB	35			
Nominal Outputs Level (Legacy)	dB μ V	75 *			
SCR					
SCR Standard		EN50494 (SCR I)/ EN50607 (SCR II)/SKY UK			
dSCR User Bands		2x16			
Nominal Outputs Level (dCSR)	dB μ V	72(Typ)			
FM/DAB/DTT					
RF Frequency Range	MHz	47 - 790			
		FM 88 - 108			
		DAB 174 - 240			
		DTT 470 - 790			
Return Loss	dB	\geq 10			
Nominal Impedance	Ω	75			
Gain Variation Across Band	dB	\leq 5			
Satellite Rejection	dB	35			
Typical Outputs Levels	Multiplexes	dB μ V	FM/DTT	DAB	
			1	76	64
			6	71	60

237201 = OMS12T			
Optical Input			
Optical			
Optical Wavelength	nm	1100 ... 1650	
Optical Return Loss	dB	45	
Optical Input Power	Min.	dBm	-12
	Max.		-3
General			
Electrical			
Power Supply Voltage	V	20 by AC/DC adaptor	
Current Consumption	mA	\leq 430	
Mechanical			
Temperature ranges	Operating	$^{\circ}$ C	-5 ... +50
	Storage		-40 ... 70
Optical Input	Typ	FC / PC	
RF Output connectors	Typ	F- female	
Weight	g	450	
Dimensions	mm	136 x 135 x 46	

(*) An oscillation can occur due to satellite transmission levels

Typical application



EN50607													EN50494			
UB	5	6	7	8	9	10	11	12	13	14	15	16	1	2	3	4
FREQ	958	1050	1115	1275	1340	1485	1550	1615	1745	1810	1875	1940	1210	1420	1680	2040
Sky UK																
UB	3	9	11	14	15	16	17	18	19	20	21	22	23	24	25	26
FREQ	1680	1280	1380	1480	980	1030	1080	1130	1530	1580	1630	1730	1780	1830	1880	1930

DECLARACIÓN DE CONFORMIDAD ▪ DECLARATION OF CONFORMITY ▪ DECLARAÇÃO DE CONFORMIDADE ▪ DECLARATION DE CONFORMITE ▪ DICHIARAZIONE DI CONFORMITÀ ▪ DEKLARACJA ZGODNOŚCI ▪ KONFORMITÄT SERKLÄRUNG ▪ ΠΙΣΤΟΠΟΙΗΤΙΚΟ ΣΥΜΜΟΡΦΩΣΗΣ ▪ FÖRSÄKRAN OM ÖVERENSSTÄMMELSE ▪ ДЕКЛАРАЦИЯ СООТВЕТСТВИЯ ▪ اعلان المطابقة وفقا للاتحاد الاوربي ▶
<https://doc.televes.com>

237201_002_EN